



10/100 Mbps Network Card

Fast Ethernet

KEY BENEFITS

Network your PCs to share cable, DSL, or satellite Internet access!

Add a U.S. Robotics Broadband Router to your network and share your existing cable, DSL, or satellite broadband Internet access with all of the PCs on your network.

Wake on LAN (WoL) for remote management

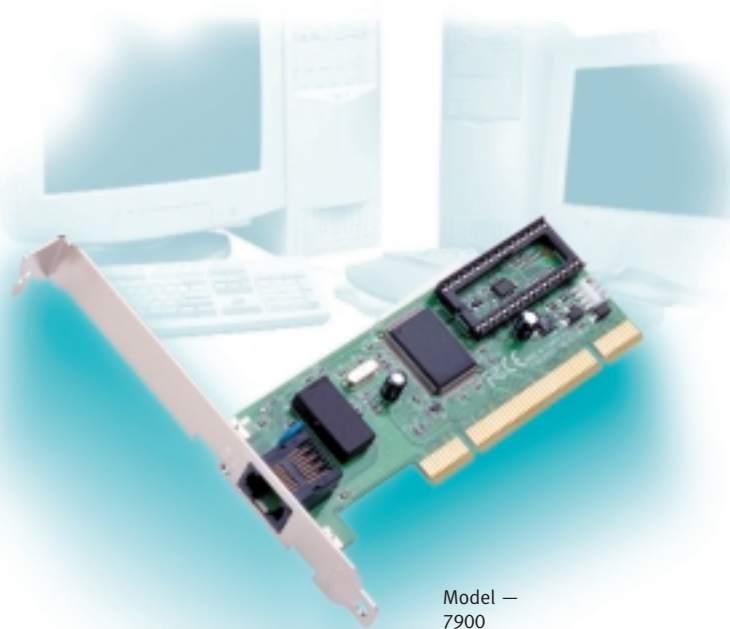
Remotely power up, or down, your computer to perform routine maintenance functions from a centralised location.

Ideal for home and office networks

Access the PCs on your network to retrieve data files, compete in multi-player games, share music, and utilise printers and other network devices.

Easy Plug and Play installation

Plug and Play installation and use. Included software provides everything you need to start exploring the Internet right away.



Model —
7900

POWER YOUR PC WITH ALL OF THE RESOURCES YOUR NETWORK HAS TO OFFER!

Make the most of the PCs in your home or office and the broadband Internet access connecting you to the world with the U.S. Robotics 10/100 Mbps Network Card. Access the PCs on your network to retrieve data files, compete in multi-player games, share music, and utilise printers and other network devices. With Wake on LAN (WoL) functionality, you can even remotely power up, or down, your computer to perform routine maintenance functions from a centralised location. And by adding the U.S. Robotics Broadband Router, you can share your existing cable, DSL, or satellite broadband Internet access with all of the PCs on your network.

As with all U.S. Robotics products, our 10/100 Mbps Network Card is designed for easy installation and use

and to work with the widest range of hardware and operating systems, including Windows, UNIX, and NetWare. Online upgradability and downloadable software ensure that the U.S. Robotics 10/100 Mbps Network Card will continue to meet your changing needs.

Information is key in today's world. Access that information from any one of the PCs in your home or office with the powerful, yet easy to install, U.S. Robotics 10/100 Mbps Network Card.

To learn more about this exciting product, visit our Web site at www.usr.com.



10/100 Mbps Network Card

Fast Ethernet

FEATURES AND BENEFITS

- Easy Plug and Play installation
- Fast 10/100 Mbps speed
- Perfect solution for networking PCs together and for sharing broadband Internet connections (U.S. Robotics Broadband Router recommended)
- Compatible with Windows*, UNIX, and NetWare operating systems
- Works at speeds of 10 or 100 Mbps (half-duplex) and 20 or 200 Mbps (full-duplex)
- Auto-sensing 10BASE-T/100BASE-TX RJ-45 port negotiates highest supported network speed
- Compatible with broadband Internet technologies like cable, DSL, and satellite access
- Wake on LAN (WoL) for remote management

SPECIFICATIONS AND STANDARDS

- Full-duplex IEEE 802.3 10BASE-T
- Full-duplex IEEE 802.3u 100BASE-TX
- Low power 3.3V device
- Meets PCI Local Bus Specification, Rev. 2.2 or later
- ACPI 1.0b
- DMI 2.0
- Wired for Management (WfM) 2.0 support
- IEEE 802.3x/802.1q/802.1p

Power Consumption

- +5V/200mA (maximum)

Environmental Specifications

- Temperature 0° to 55°C/32° to 131°F (Standard operating)
- Humidity 10% to 90% (Non-condensing)

Dimensions

- 120 x 65 mm (4.72 x 2.56 in.)

Weight

- 0.06 kg (1.9 oz)

Minimum System Requirements

- Any of the following operating systems: Windows 95/98/Me/XP/2000/NT 4.0, SCO UNIX, NetWare
- Available PCI-bus slot (PCI 2.2 compliant or higher)
- 500K available hard disk space for driver installation
- 2x or better CD-ROM drive (for Installation CD)
- RJ-45 Ethernet cable (not included)

U.S. Robotics Installation CD Requirements

- Pentium class processor or equivalent
- Windows 95/98/ME/NT 4.0/ME/2000/XP
- 256 color monitor (16 bit recommended)
- 32 MB RAM recommended
- 2 MB hard drive space available
- CD-ROM drive

RETAIL PACKAGE

Dimensions

- 25.08 cm. length (9-7/8 in.)
- 16.19 cm. width (6-3/8 in.)
- 5.4 cm. depth (2-1/8 in.)

Weight

- .34kg. (.75 lbs.)

WARRANTY

12-month limited warranty from date of purchase

MODEL NUMBER

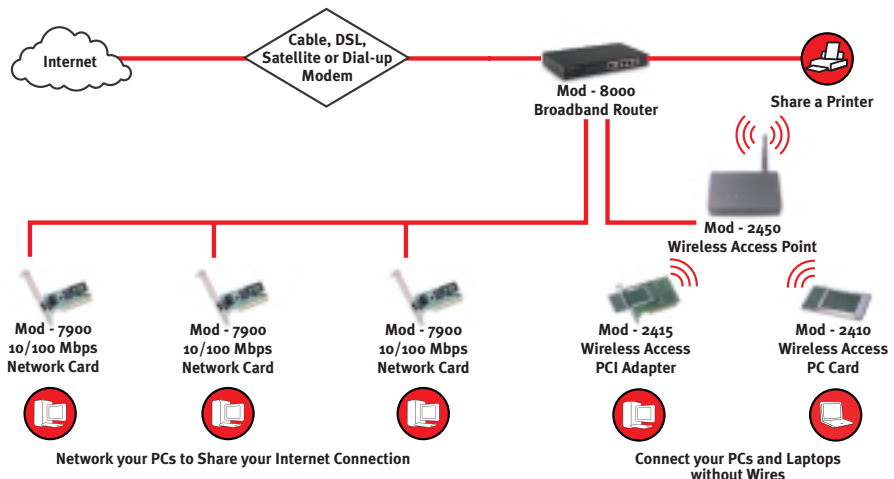
7900



PACKAGE CONTENTS

- U.S. Robotics 10/100 Mbps Network Card
- Wake on LAN (WoL) cable
- Quick Install Guide
- Installation CD

This diagram is just one of many possible networking solutions.



*IMPORTANT! See Minimum System Requirements

Chances are U.S. Robotics helped you get on the Internet, and we're keeping you connected with cutting edge technology. We're proud of our role in the history of the Internet, but even prouder of our role in the future – broadband, wireless, and beyond. Our entire team, from customer support to engineering, is dedicated to keeping people in contact worldwide – with information, entertainment, and each other. www.usr.com

Contact your U.S. Robotics representative or visit us at www.usr.com for current product information.

Copyright© 2001 U.S. Robotics Corporation. All rights reserved. U.S. Robotics is a registered trademark of U.S. Robotics Corporation. Other product names are for identification purposes only and may be trademarks or registered trademarks of their respective companies. Product specifications subject to change without notice.