


## EtherLite RS422 RJ45-DB25 pinouts

The wiring diagram for a RJ45 to DB25 4-wire full duplex cable is shown in Table 1.

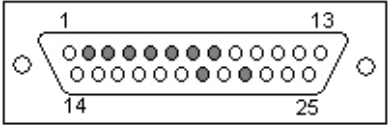
**Table 1: EIA-422 RJ-45 8-pin to DB-25 cable**

From RJ-45	Signal	Signal	To DB-25
2	RxD-	TxD+	2
4	RxD+	TxD-	14
5	TxD+	RxD-	16
7	TxD-	RxD+	3

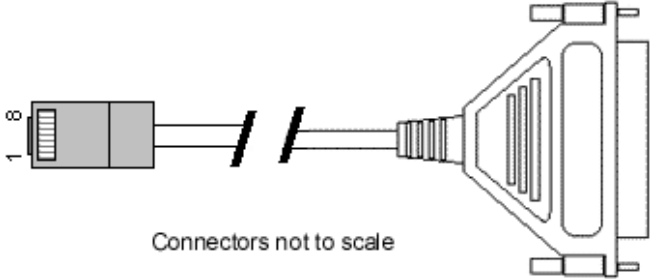
FRONT:



RJ-45 8-Pin



Male DB-25



Connectors not to scale