

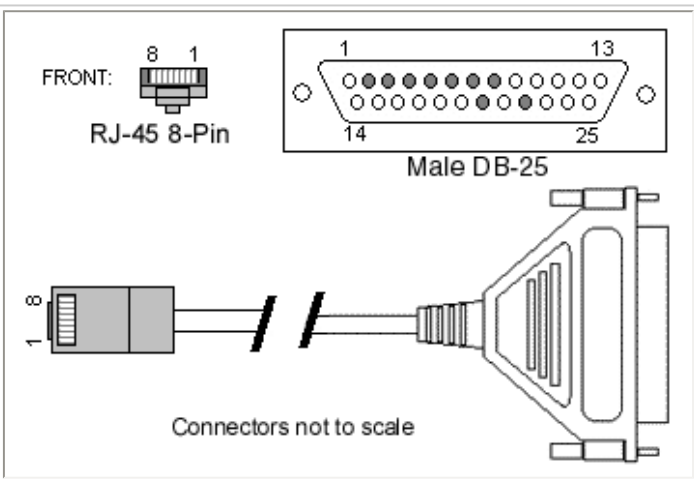
Modem Cables RJ-45 (Central Data) to DB-25

EIA-232 Boards with RJ-45 (Central Data) Cable Connectors- EtherLite 2, EtherLite 8, EtherLite 16, EtherLite 160, EtherLite 32, SCSI Terminal Server 1400, SCSI Terminal Server 1800, SCSI Terminal Server 1610, SCSI Terminal Server 1032.

The wiring diagram for an RJ-45 8-pin to DB-25 modem cable is shown in Table 1.

Table 1: EIA-232 RJ-45 8-pin to DB-25 modem cable

From RJ-45	Signal	Direction	Signal	To DB-25
3	DCD	←	DCD	8
4	RxD	←	RxD	3
5	TxD	→	TxD	2
7	DTR	→	DTR	20
6	SG	↔	SG	7
2	DSR	←	DSR	6
1	RTS	→	RTS	4
8	CTS	←	CTS	5
Shell	GND	↔	GND	Shell



* Arrows indicate which direction the signal is flowing

NOTES:

- This cable utilizes the CTS signal of the modem for hardware flow control (RTS/CTS).
- EIA-232 cables cannot exceed 2500pF.