

Modem Cables

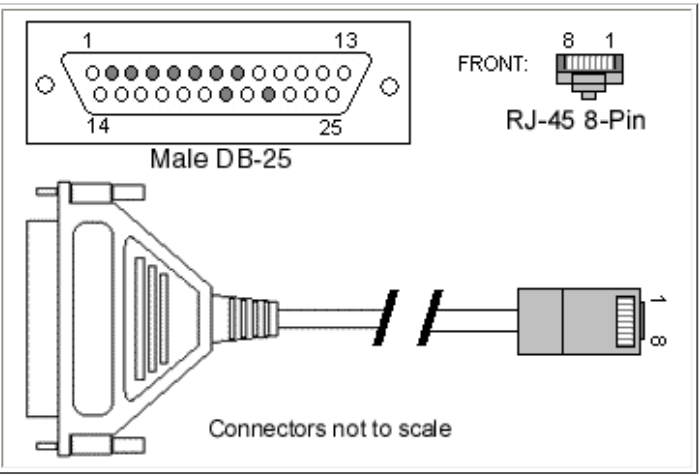
Digi - Cisco Console Adapter, DB-25 to RJ-45

EIA-232 Boards which require DB-25 Male Cables Assemblies - SCSI Terminal Server ST1002, SCSI Terminal Server ST1008, SCSI Terminal Server ST1016, SCSI Terminal Server ST1600

The wiring diagram for a DB-25 to Cisco Console RJ-45 8-pin adapter cable is shown in Table 1.

Table 1: EIA-232 DB-25 to RJ-45

From DB-25	Signal	Direction	Signal	To RJ-45 Cisco
8	DCD	←	DTR	2
3	RxD	←	TxD	3
2	TxD	→	RxD	6
20	DTR	→	DSR	7
7	SG	↔	SG	5
4	RTS	→	CTS	8
5	CTS	←	RTS	1
1	GND	↔	GND	4



- Arrows indicate which direction the signal is flowing