

# Modem Cables

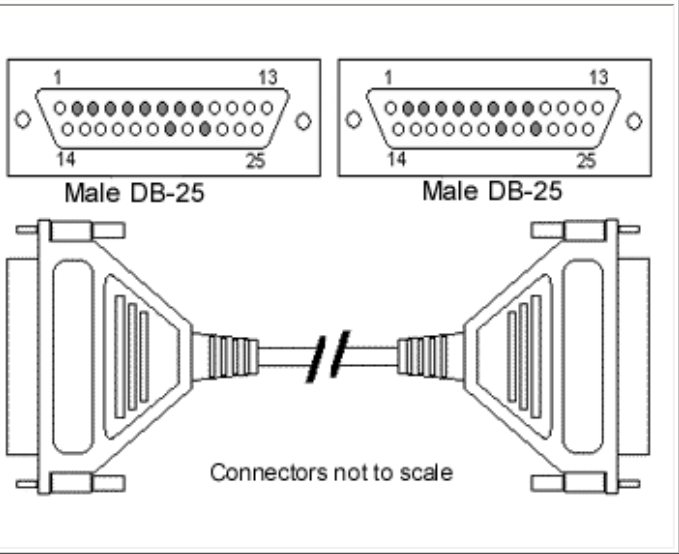
## Modem Cables DB-25 to DB-25

EIA-232 Boards which require DB-25 Male Cables Connectors - SCSI Terminal Server ST1002, SCSI Terminal Server ST1008, SCSI Terminal Server ST1016, SCSI Terminal Server ST1600

The wiring diagram for a DB-25 to DB-25 modem cable is shown in Table 1.

**Table 1: EIA-232 DB-25 to DB-25 modem cable**

From DB-25	Signal	Direction	Signal	To DB-25
8	DCD	←	DCD	8
3	RxD	←	RxD	3
2	TxD	→	TxD	2
20	DTR	→	DTR	20
7	SG	↔	SG	7
6	DSR	←	DSR	6
4	RTS	→	RTS	4
5	CTS	←	CTS	5
22	RI	←	RI	22
Shell	GND	↔	GND	Shell



\* Arrows indicate which direction the signal is flowing

**NOTES:**

- This cable utilizes the CTS signal of the modem for hardware flow control (RTS/CTS).