

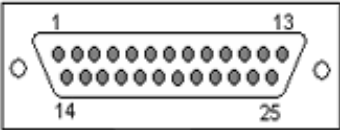
DB-25 Pinout, Asynchronous EIA-422

EIA-422 Boards with DB-25 cable connectors


The wiring diagram for an EIA-422 DB-25 connector is shown in Table 1.

Table 1: EIA-422 DB-25 connector

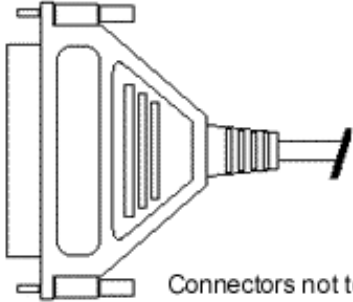
DB-25	Direction	Signal
2	→	TxD+
14	→	TxD-
3	←	RxD+
16	←	RxD-
4	→	RTS+
19	→	RTS-
5	←	CTS+
13	←	CTS-
Shell	↔	GND



Male DB-25



Female DB-25



Connectors not to scale

* Arrows indicate which direction the signal is flowing