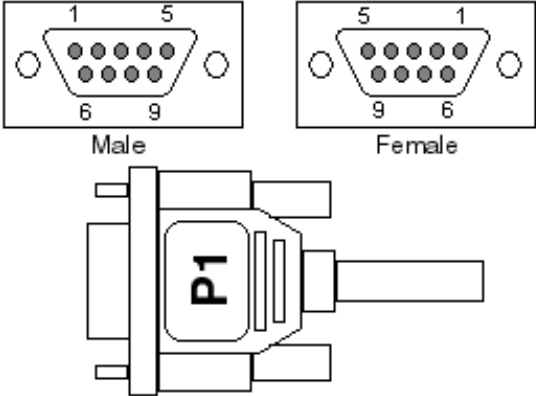


Digi One EM

The wiring diagram for the DB-9 connector is shown in Table 1.

Table 1: DB-9 connector

DB-9	Direction	Signal
1	←	DCD
2	←	RxD
3	→	TxD
4	→	DTR
5	↕	SG
6	←	DSR
7	→	RTS
8	←	CTS
9	←	RI



The diagram illustrates the physical connectors for the DB-9 interface. It shows a Male DB-9 connector with pins numbered 1, 5, 6, and 9. It also shows a Female DB-9 connector with pins numbered 5, 1, 9, and 6. Below these is a detailed view of a P1 port connector, which is a D-subminiature connector with a label 'P1' on its side.