

**Cables**

# EIA-232 PC Terminal Emulator Cables, RJ-11 6-pin/4-wire to DB-25

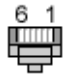
## Software Flow Control Only

The wiring diagram for an RJ-11 6-pin/4-wire to DB-25 PC terminal emulator cable is shown in Table 1.

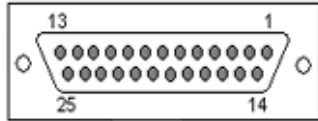
**Table 1: EIA-232 RJ-11 6-pin/4-wire to DB-25 PC terminal emulator cable**

From RJ-11	Signal	Direction	Signal	To DB-25
4	RxD	←	TxD	2
3	TxD	→	RxD	3
5	SG	↔	SG	7
2	GND	↔	GND	Shell

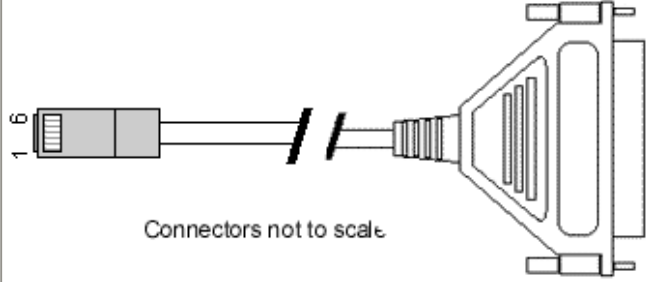
FRONT:



RJ-11 6-pin



Female DB-25



Connectors not to scale.

\* Arrows indicate which direction the signal is flowing

**NOTES:**

- This cable can only be used with Software Flow Control (Xon/Xoff).
- Some Unix operating systems require carrier to be present. If this is the case, the forcedcd parameter will need to be turned on for this port at the host.