

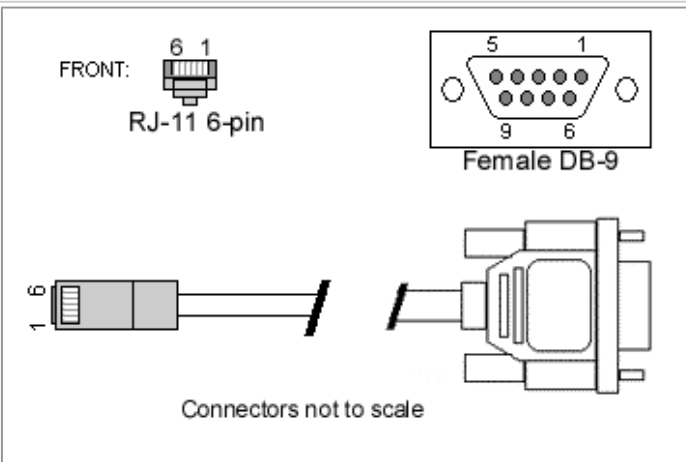
Cables

EIA-232 PC Terminal Emulator Cables, RJ-11 6-pin to DB-9

The wiring diagram for an RJ-11 6-pin to DB-9 PC terminal emulator cable is shown in Table 1.

Table 1: EIA-232 RJ-11 6-pin to DB-9 PC terminal emulator cable

From RJ-11	Signal	Direction	Signal	To DB-9
4	RxD	←	TxD	3
3	TxD	→	RxD	2
5	SG	↔	SG	5
1	RTS	→	CTS	8
6	CTS	←	RTS	7
2	GND	↔	GND	Shell



FRONT: RJ-11 6-pin

Female DB-9

Connectors not to scale

* Arrows indicate which direction the signal is flowing

NOTES:

- This cable utilizes the RTS signal of the PC terminal emulator for hardware flow control (RTS/CTS).
- Some Unix operating systems require carrier to be present. If this is the case, the `forcedcd` parameter will need to be turned on for this port at the host.