

Cables

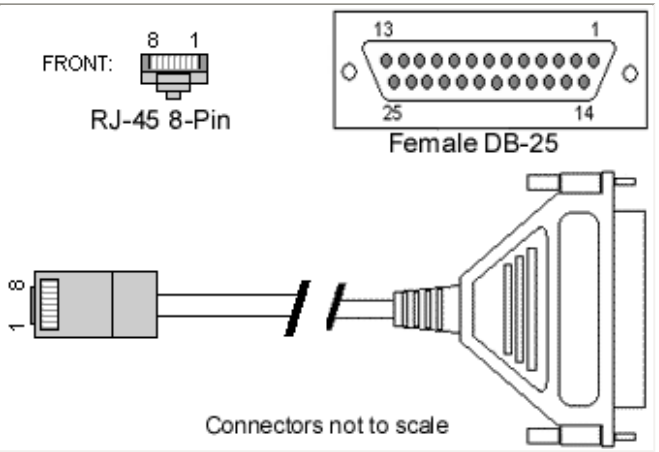
EIA-232 PC Terminal Emulator Cables, RJ-45 8-pin/4-wire to DB-25

Software Flow Control Only

The wiring diagram for an RJ-45 8-pin to DB-25 PC terminal emulator cable using only 4 wires is shown in Table 1.

Table 1: EIA-232 RJ-45 8-pin to DB-25 PC terminal emulator cable using only 4 wires

From RJ-45	Signal	Direction	Signal	To DB-25
3	GND	↔	GND	Shell
4	TxD	→	RxD	3
5	RxD	←	TxD	2
6	SG	↔	SG	7
1	DCD	←	RTS	4



* Arrows indicate which direction the signal is flowing

NOTES:

- This cable can only be used with Software Flow Control (Xon/Xoff).
- Some Unix operating systems require carrier to be present. If this is the case, altpin must be turned on and the DCD-RTS wire added (in some cases it may be possible to wire DCD-RTS as the fourth wire instead of GND).