


# PC Terminal Emulator Cables, RJ-45 8-pin to DB-9

The wiring diagram for an RJ-45 8-pin to DB-9 PC terminal emulator cable is shown in Table 1.

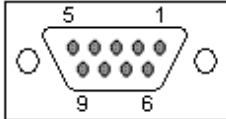
**Table 1: EIA-232 RJ-45 8-pin to DB-9 PC terminal emulator cable**

From RJ-45	Signal	Direction	Signal	To DB-9
3	GND	↔	GND	Shell
4	TxD	→	RxD	2
5	RxD	←	TxD	3
6	SG	↔	SG	5
7	CTS	←	RTS	7
1	DSR	←	DTR	4
2	RTS	→	CTS	8
8	DTR	→	DSR	6


FRONT:



RJ-45 8-Pin



Female



Connectors not to scale

\* Arrows indicate which direction the signal is flowing

## NOTES:

- Altpin should be turned off when using this cable so that pin 1 becomes DSR instead of DCD. This alternative can be used if DCD is not required, and DSR is needed instead.
- This cable utilizes the RTS signal of the PC terminal emulator for hardware flow control (RTS/CTS).