

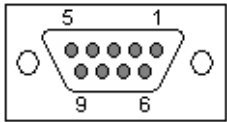
Modem Cables

Terminal/Printer Cables, DB-9 to DB-9

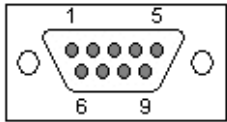
The wiring diagram for a DB-9 pin to DB-9 pin terminal/printer cable is shown in Table 1.

Table 1: EIA-232 DB-9 to DB-9 terminal/printer cable

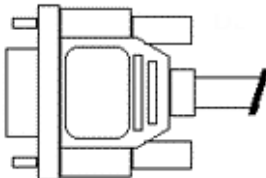
DB-9	Signal	Direction	Signal	To DB-9
2	RxD	←	TxD	3
3	TxD	→	RxD	2
4	DTR	↻	DSR	6
			DCD	1
5	SG	↔	SG	5
6	DSR	↻	RTS	7
1	DCD	←	CTS	8
7	RTS	→	DTR	4
8	CTS	←		
Shell	GND	↔	GND	Shell

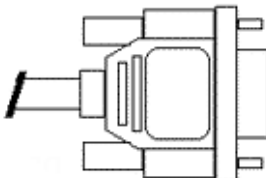


Female



Male DB-9





Connectors not to scale

* Arrows indicate which direction the signal is flowing

NOTES:

- Altpin should be turned off when using this cable.
- This cable utilizes the DTR signal of the terminal/printer for hardware flow control (RTS/CTS).