

Modem Cables


Terminal/Printer Cables, RJ-11 6-pin/4-wire to DB-9

The wiring diagram for an RJ-11 6-pin/4-wire to DB-9 terminal/printer cable is shown in Table 1.

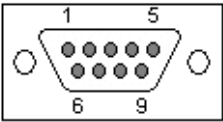
Table 1: EIA-232 RJ-11 6-pin/4-wire to DB-9 terminal/printer cable

From RJ-11	Signal	Direction	Signal	To DB-9
4	RxD	←	TxD	3
3	TxD	→	RxD	2
5	SG	↔	SG	5
2	GND	↔	GND	Shell

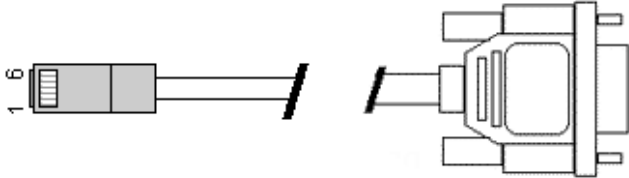
FRONT:



RJ-11 6-pin



Male DB-9



Connectors not to scale

* Arrows indicate which direction the signal is flowing

NOTES:

- This cable can only be used with Software Flow Control (Xon/Xoff).
- Some Unix operating systems require carrier to be present. If this is the case, the forcedcd parameter will need to be turned on for this port at the host.