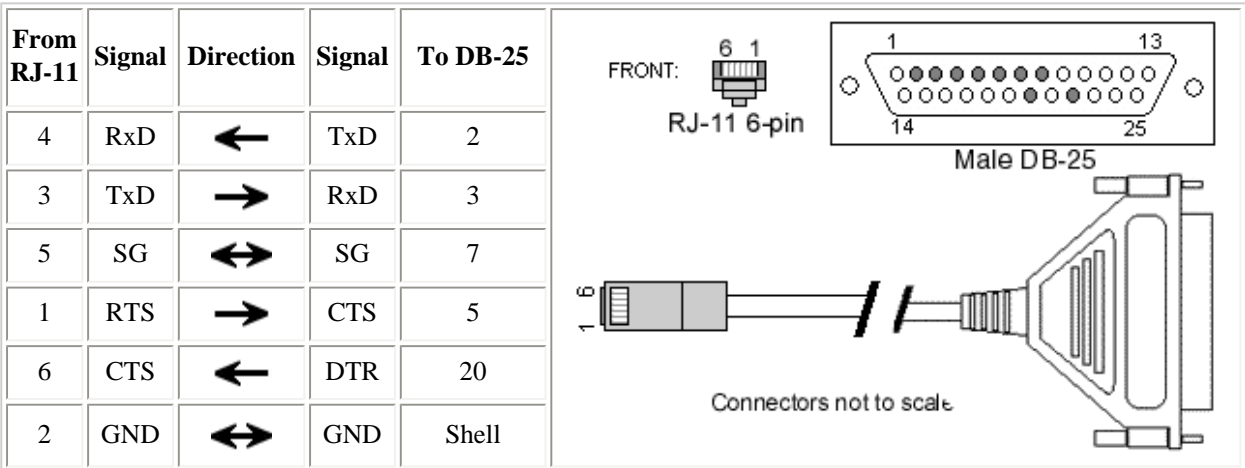


# Cables

## Terminal/Printer Cables, RJ-11 6-pin to DB-25

The wiring diagram for an RJ-11 6-pin to DB-25 terminal/printer cable is shown in Table 1.

**Table 1: EIA-232 RJ-11 6-pin to DB-25 terminal/printer cable**



\* Arrows indicate which direction the signal is flowing

**NOTES:**

- This cable utilizes the DTR signal of the terminal/printer for hardware flow control (RTS/CTS).
- Okidata printers may use SSD (pin 11) instead of DTR (pin 20) on DB25 side in above diagram. If this is the case, the printer should be set to SSD+.
- Some Unix operating systems require carrier to be present. If this is the case, the forcedcd parameter will need to be turned on for this port at the host.