

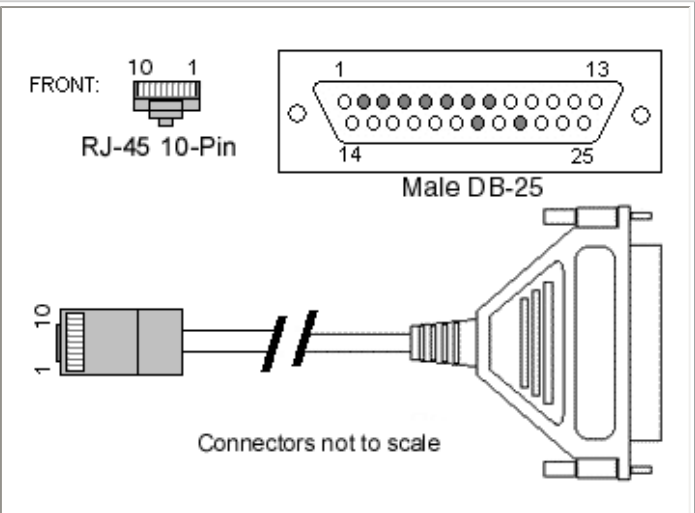
Cables

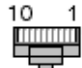
EIA-232 Terminal/Printer Cables, RJ-45 10-pin to DB-25

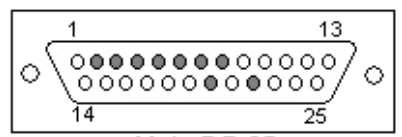
The wiring diagram for an RJ-45 10-pin to DB-25 terminal/printer cable is shown in Table 1.

Table 1: EIA-232 RJ-45 10-pin to DB-25 terminal/printer cable

From RJ-45	Signal	Direction	Signal	To DB-25
10	DCD	↔	RTS	4
2	DSR			
6	RxD	←	TxD	2
5	TxD	→	RxD	3
9	DTR	↔	DSR	6
			DCD	8
7	SG	↔	SG	7
3	RTS	→	CTS	5
8	CTS	←	DTR	20
4	GND	↔	GND	Shell



FRONT:  RJ-45 10-Pin

 Male DB-25

Connectors not to scale

* Arrows indicate which direction the signal is flowing

This cable can also be purchased from Digi (see part number below).

- 4' RJ-45 10-pin to DB-25 - Part #76000238

NOTES:

- Altpin should be turned off when using this cable.
- This cable utilizes the DTR signal of the terminal/printer for hardware flow control (RTS/CTS).
- Okidata printers may use SSD (pin 11) instead of DTR (pin 20) on DB25 side of above diagram. If this is the case, the printer should be set to SSD+.