

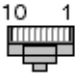
Cables

EIA-232 Terminal/Printer Cables, RJ-45 10-pin to DB-9

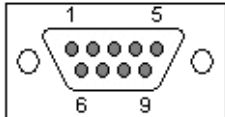
Table 1: EIA-232 RJ-45 10-pin to DB-9 terminal/printer cable

From RJ-45	Signal	Direction	Signal	To DB-9
10	DCD	↔	RTS	7
2	DSR			
6	RxD	←	TxD	3
5	TxD	→	RxD	2
9	DTR	↔	DSR	6
			DCD	1
7	SG	↔	SG	5
3	RTS	→	CTS	8
8	CTS	←	DTR	4
4	GND	↔	GND	Shell

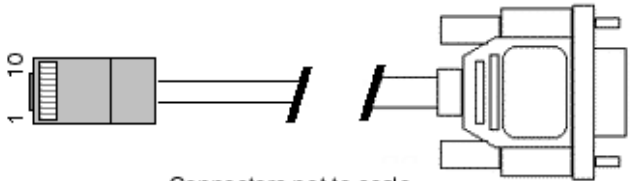
FRONT:



RJ-45 10-Pin



Male DB-9



Connectors not to scale

* Arrows indicate which direction the signal is flowing

NOTES:

- Altpin should be turned off when using this cable.
- This cable utilizes the DTR signal of the terminal/printer for hardware flow control (RTS/CTS).