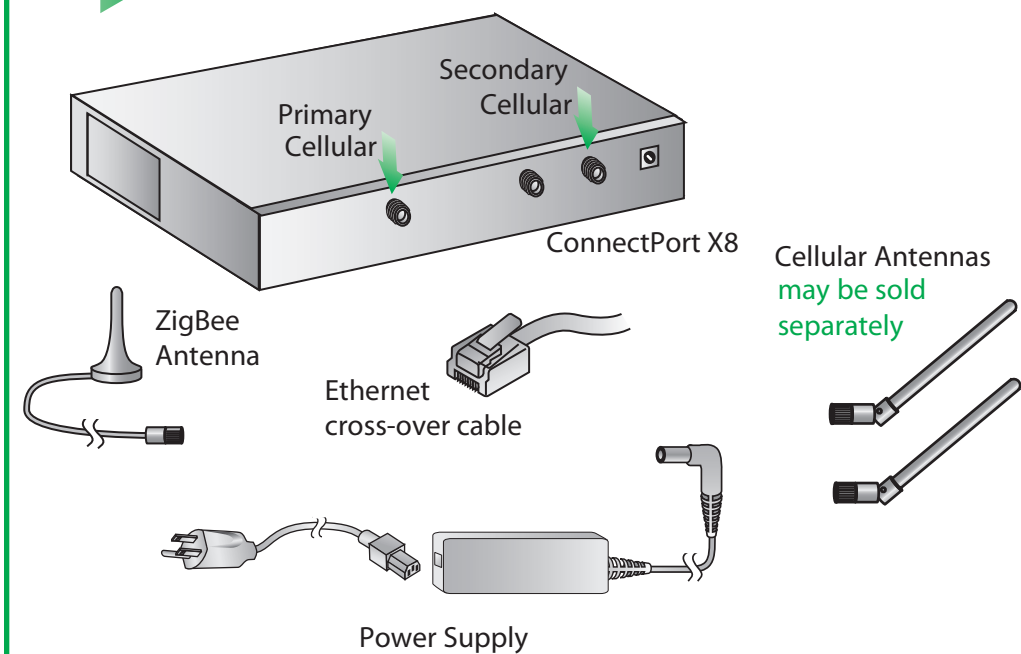


# 1 Connect Hardware



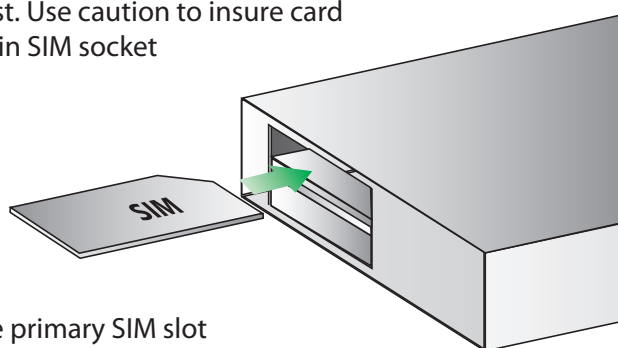
## Quick Start Guide

### ConnectPort™ X8 GSM Provisioning

90000803\_B

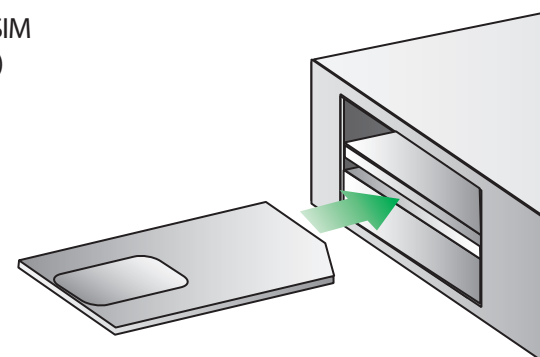
# 2 Insert SIM card(s)

- a** Orient SIM card\* with metal side down and short corner to insert first. Use caution to insure card is properly seated in SIM socket



- b** Insert SIM into the primary SIM slot (upper slot if you have a dual SIM)

- b** Insert secondary SIM card (if applicable)



# 3 Connect hardware

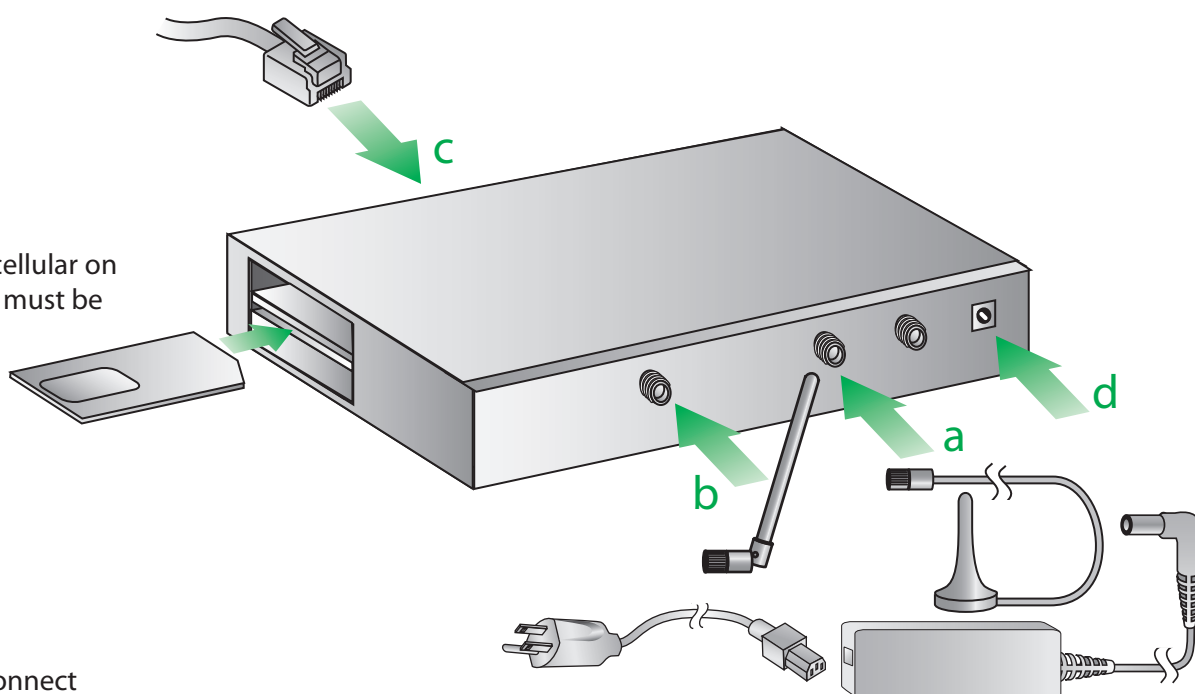
- a** Connect ZigBee antenna

- b** Connect cellular antenna. Connect antenna to primary cellular on front of ConnectPort X if connecting two antennae they must be 20 cm away from each other

**NOTE:** Make sure to use a male antenna for a female connection or a female antenna for a male connection

- c** Connect Ethernet cross-over cable to a PC and the Ethernet port located on the back of the module

- d** Connect power supply. Add the appropriate plug and connect power supply



# 4 Configure your cellular settings

- a** Open your web browser and enter the IP address 192.168.1.1 in the URL address bar

- b** Under Configuration, click "Mobile." Enter your service provider name and connection parameters and click "Apply."

Your device is now configured. If you would like to verify your connections go to step 5 and 6

**NOTE:** If you have difficulty discovering your device, make sure your computer is set up to obtain IP addresses automatically (DHCP server is enabled by default on the device). Also ensure all firewall software is temporarily disabled

# 5 Discover ZigBee

- a** Under Administration, click System Information > Mesh Network
- b** Click Discover Mesh Network. You should see the devices in the network

# 6 Validate Internet Connection

- a** Disconnect the Ethernet cross-over cable and reconnect it. This will re-establish the Ethernet connection by assigning a new IP address through the DHCP server
- b** To verify your Internet connection, enter a website of your choice (e.g. www.digi.com) in the URL address bar of your browser and click "enter." Connecting to a website indicates the connection is working

For additional information about your cellular connection, click System Information > Mobile or reference the User's Guide provided on the Digi support site ([www.digi.com/support/](http://www.digi.com/support/))