
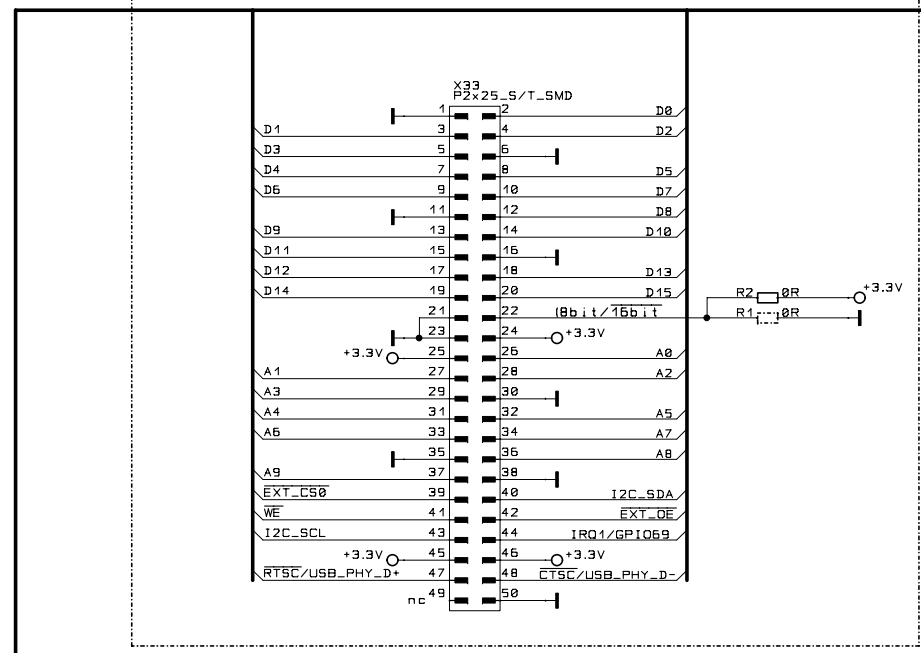


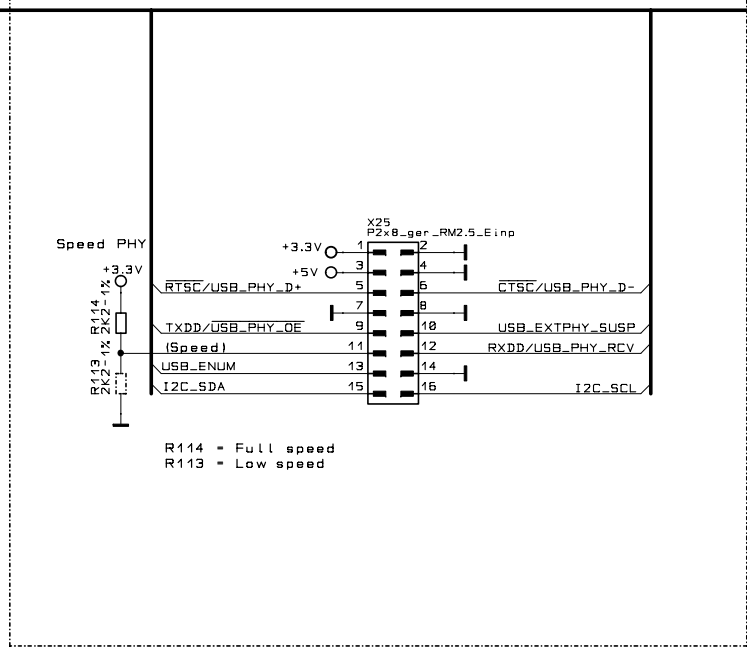
Usable for:				Scale:		Filename: JSCC9P9360_2a.scn	
				JSCC9P9360_2			
				V01/3017			
				ConnectCore 9P 9360 Development Board			
				JumpStart			
				MEI, RS232, VGA, SPI, I2C, 2xUSB Host...			
				Date	Name	Title:	
				Designer	05.05.2007	HP5	Block Diagram
				Approved			
				ISO			
						Partnumber:	Sheet
						L02988	1
				Rev.	Modification	Date	Name
A	L15	C04 to 3028	05.07.07	HP5			
Provided for:						Provided by:	



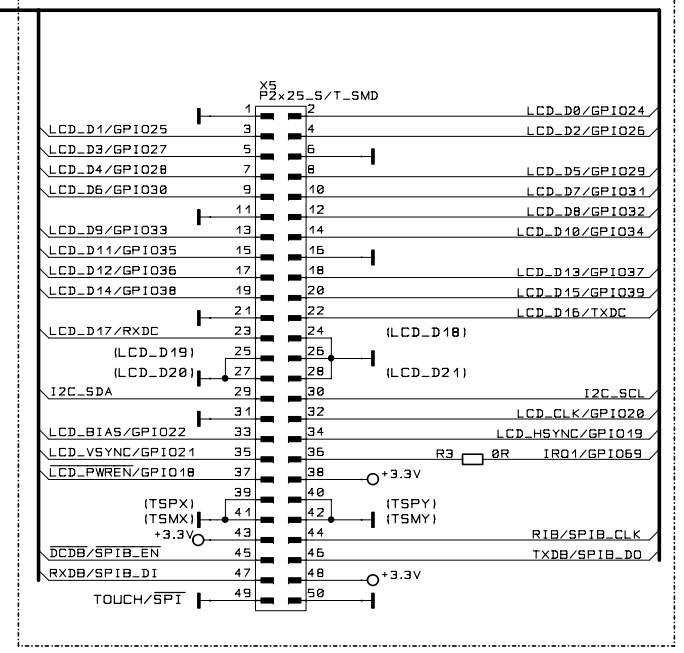
Peripheral Application Header



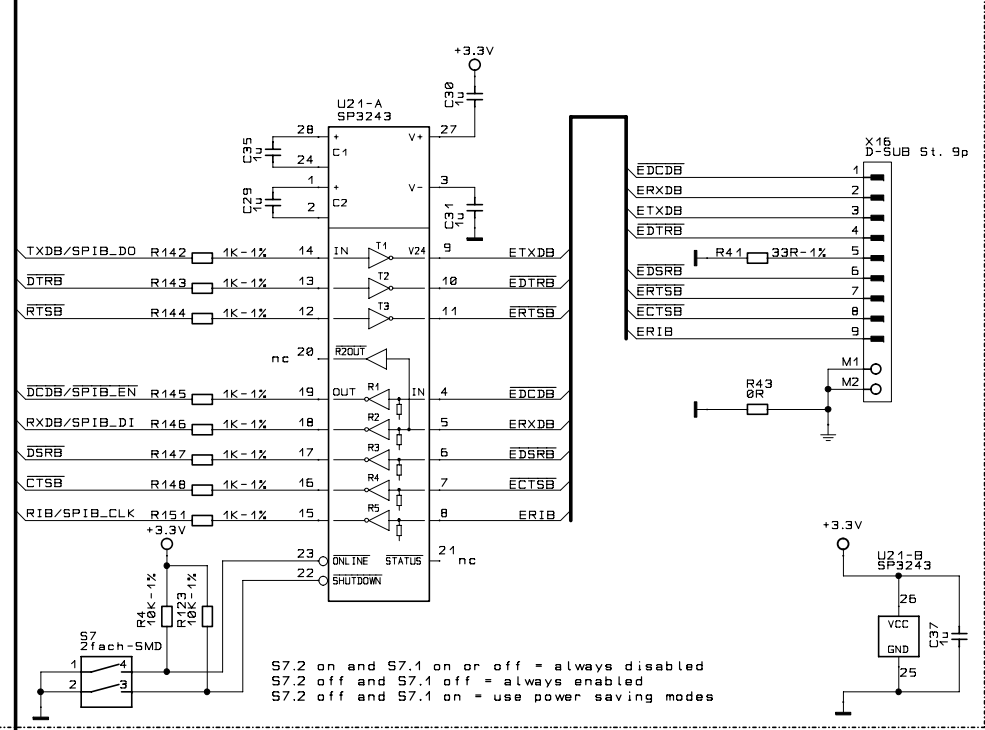
USB Device Application Header



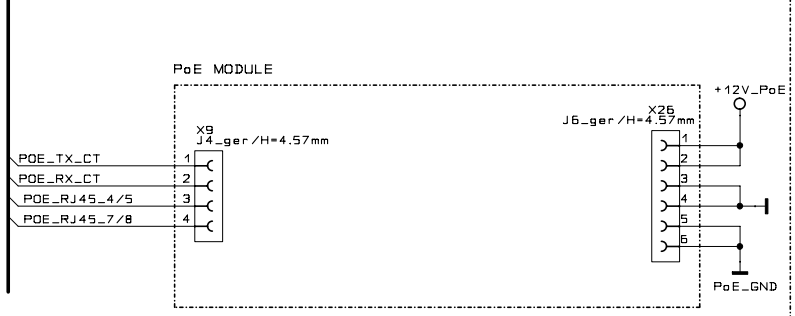
LCD Expansion Interface



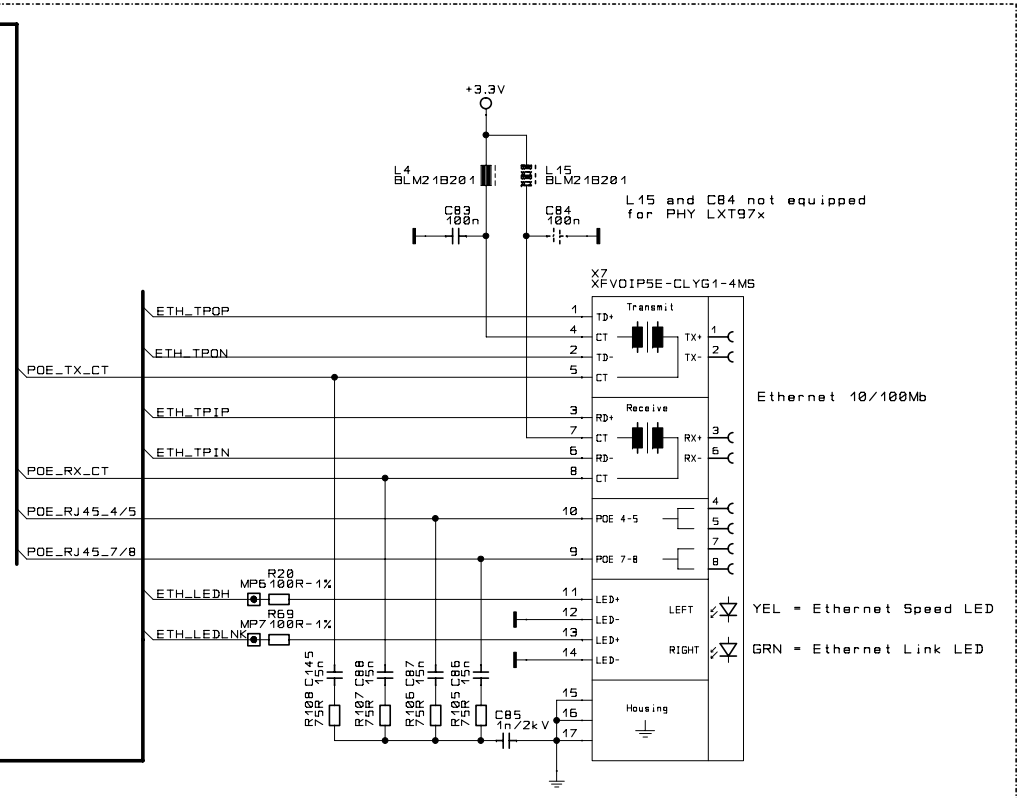
RS232 COMB



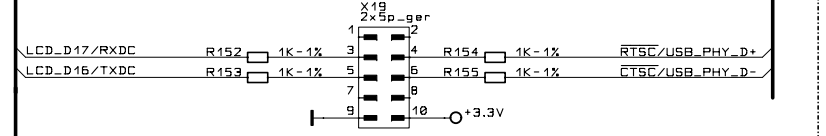
PoE MODULE



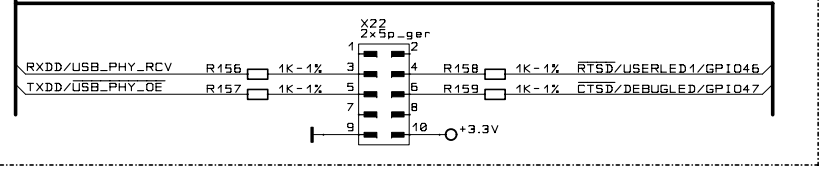
Ethernet Connector



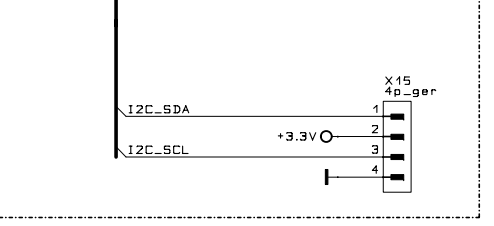
COMC Connector



COMD Connector



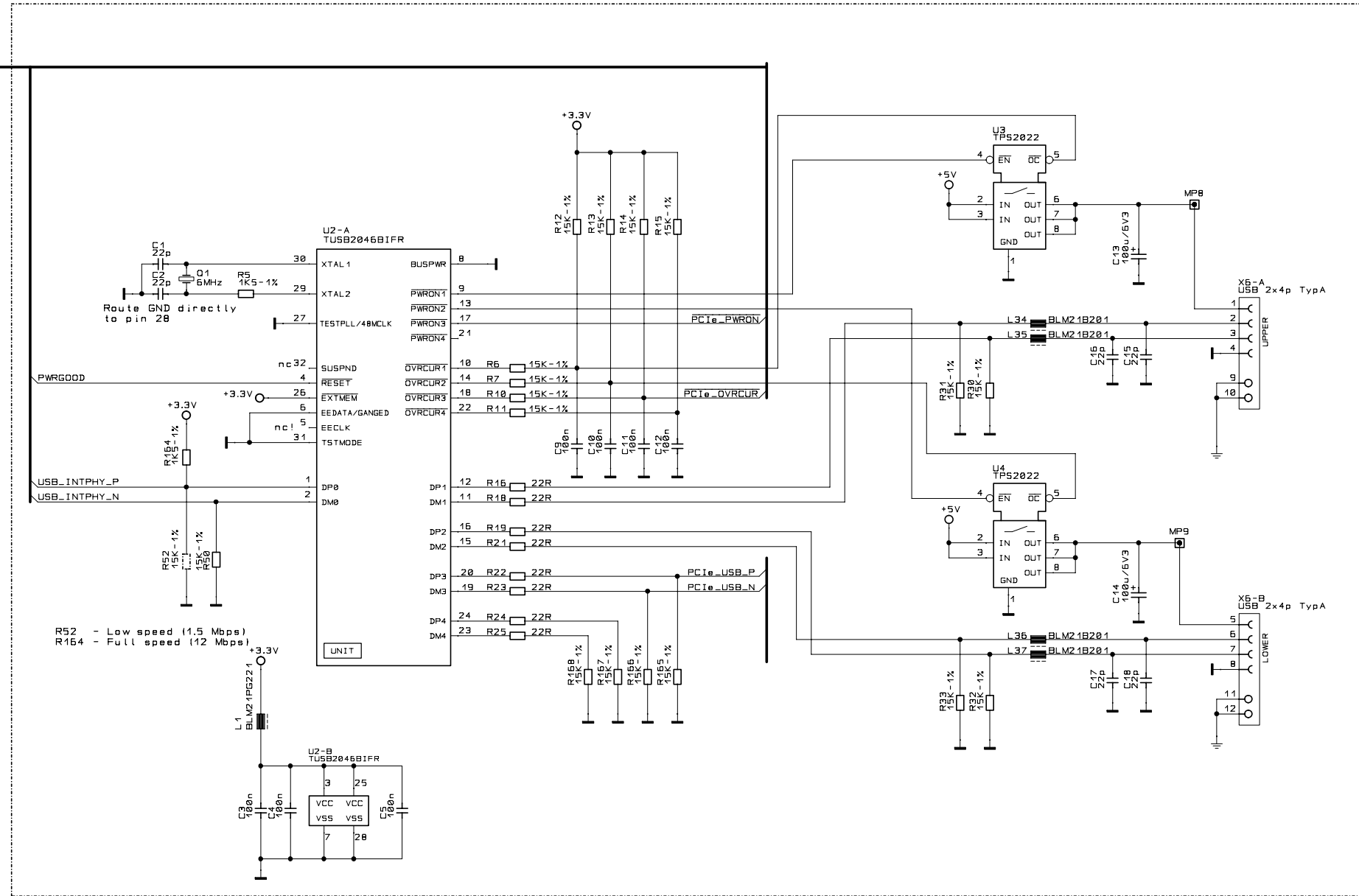
I2C Connector



Usable for:		Scale:		Filename: JSCC9P9360_2a.scm	
		JSCC9P9360_2			
		V01/3017			
		ConnectCore 9P 9360 Development Board			
		JumpStart			
		ME1, RS232, VGA, SPI, I.C, 2xUSB Host...			
		Title:		Peripheral Connectors	
		Partnumber:		L02988	
		Sheet		3	
		of		9	
Rev.	Modification	Date	Name	Provided for:	Provided by:
A	L15 C84 to 3028	05.07.07	HpS		



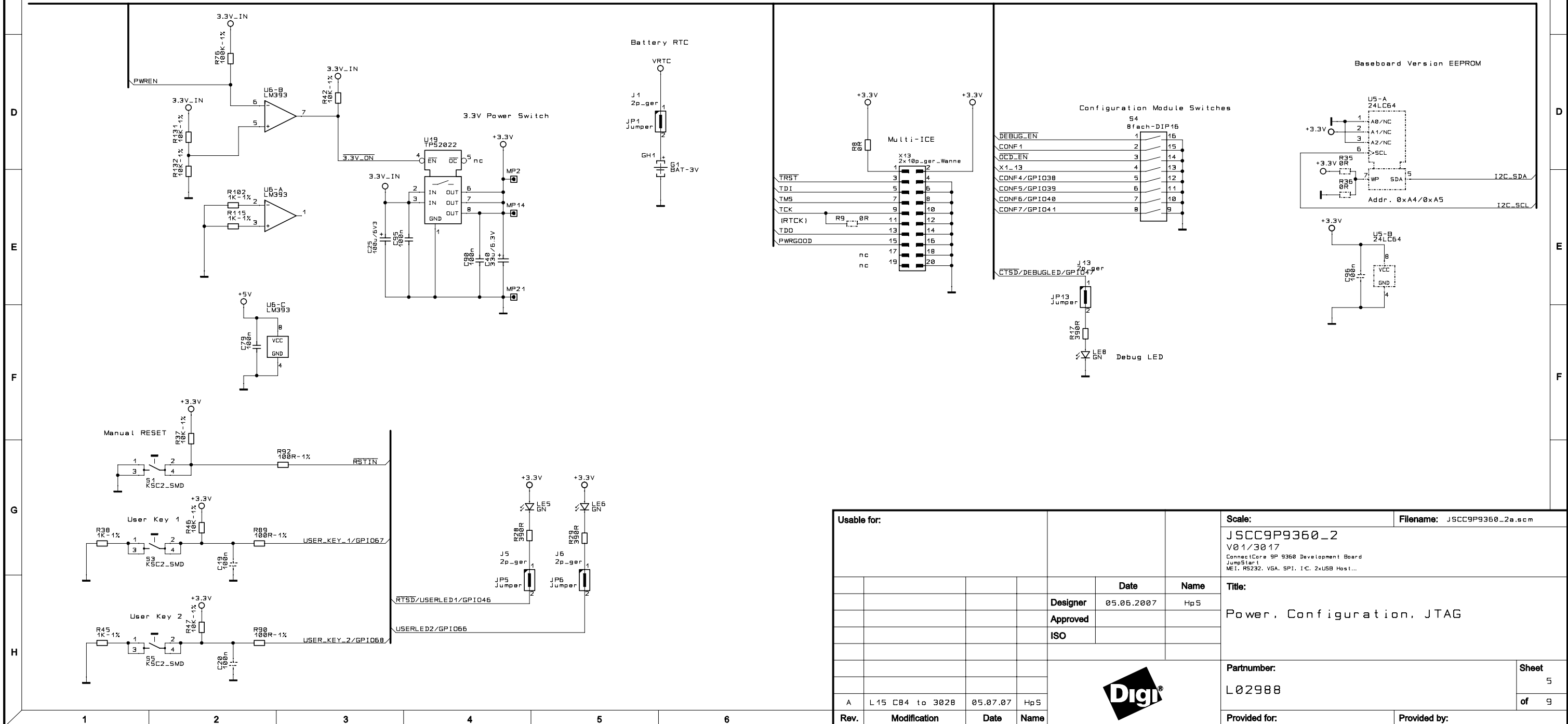
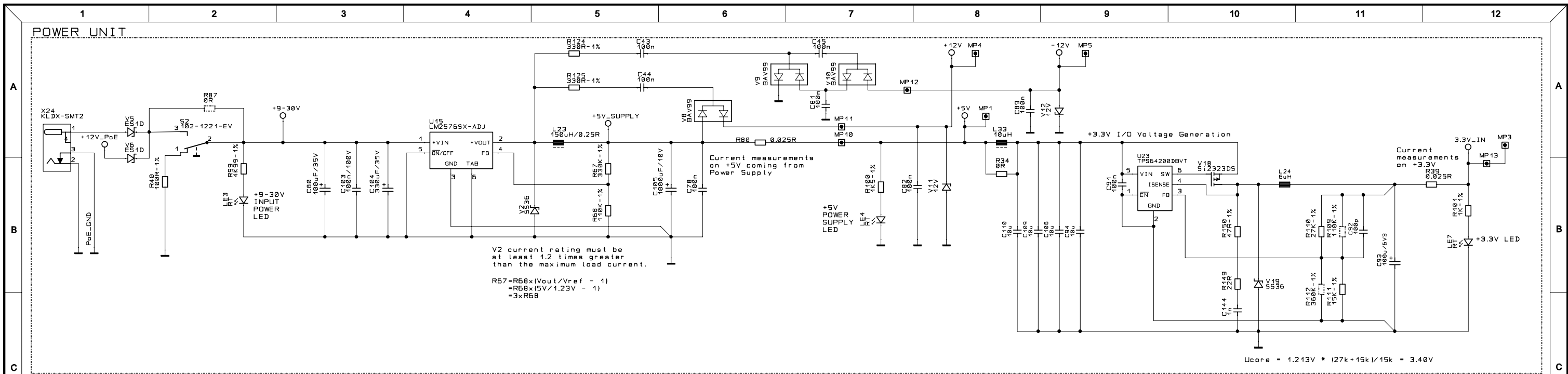
USB Hub



R52 - Low speed (1.5 Mbps)  
R164 - Full speed (12 Mbps)

All rights reserved © Digi International Inc.

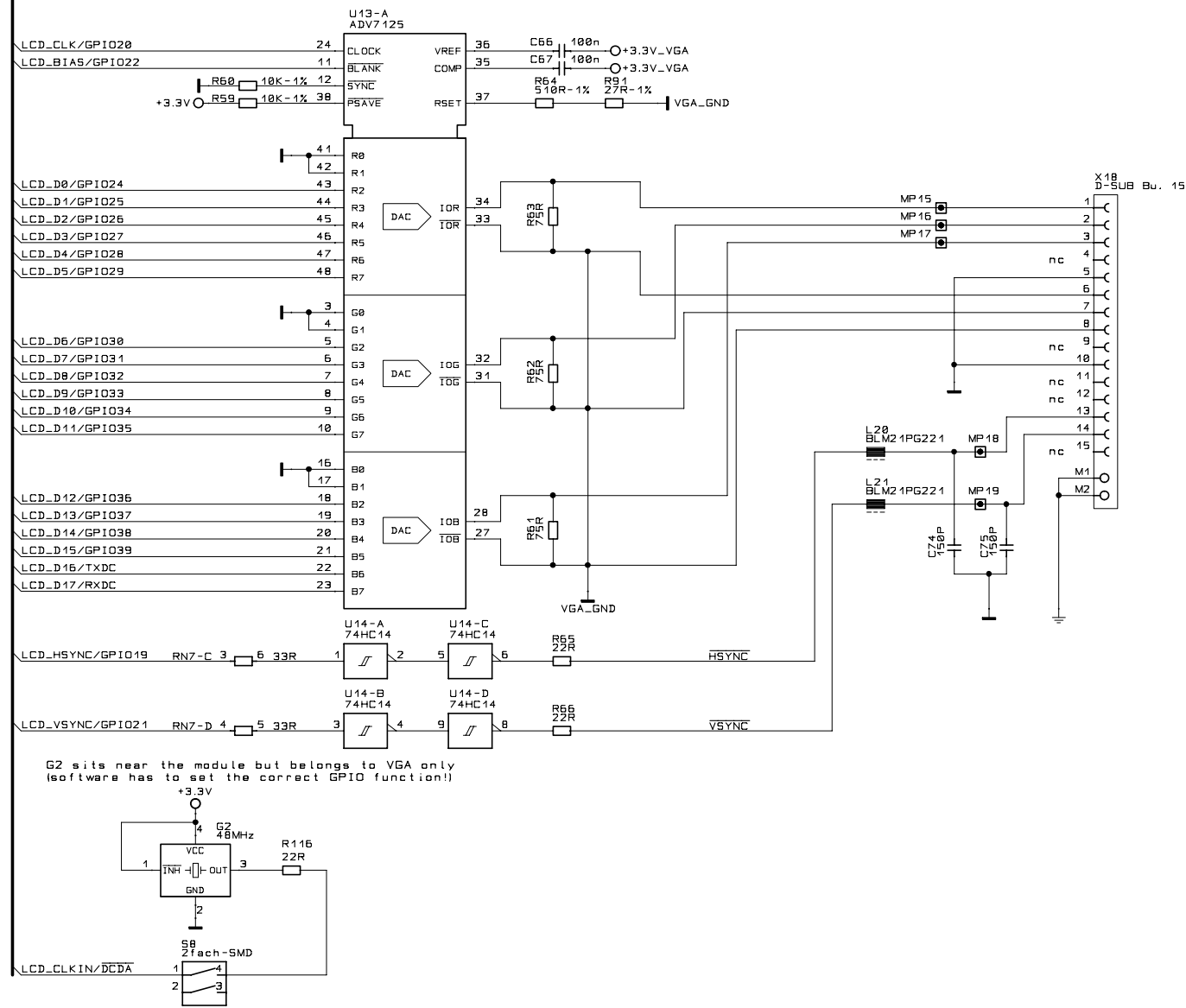
Usable for:				Scale:		Filename: JSCC9P9360_2a.scm	
				JSCC9P9360_2		V01/3017	
				ConnectCore 9P 9360 Development Board		JumpStart	
				ME1, RS232, VGA, SP1, 1C, 2xUSB Host...			
				Designer: 05.05.2007		Name: HpS	
				Approved:		Title: USB Host Hub	
				ISO:			
				Partnumber:		Sheet	
				L02988		4	
				Provided for:		of 9	
				Provided by:			
Rev.	Modification	Date	Name				
A	L15 C84 to 3028	05.07.07	HpS				



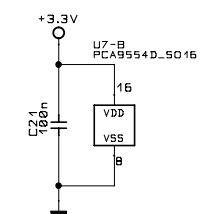
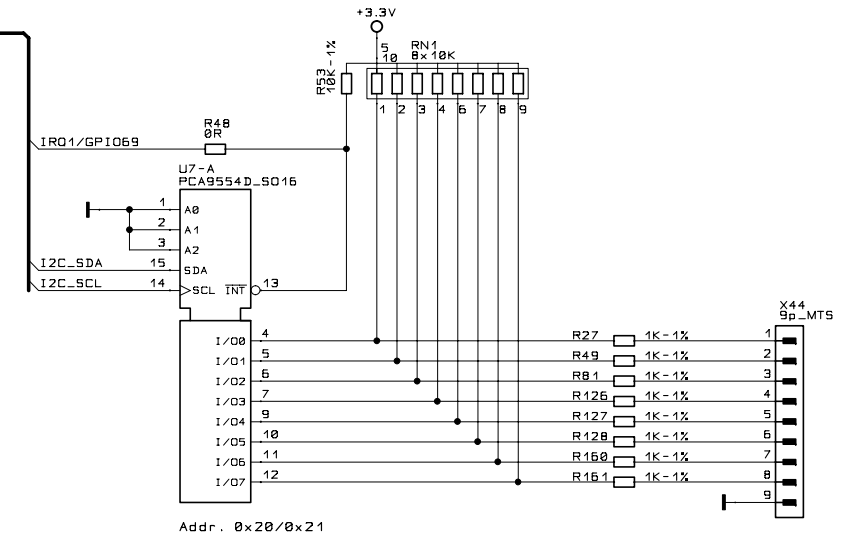
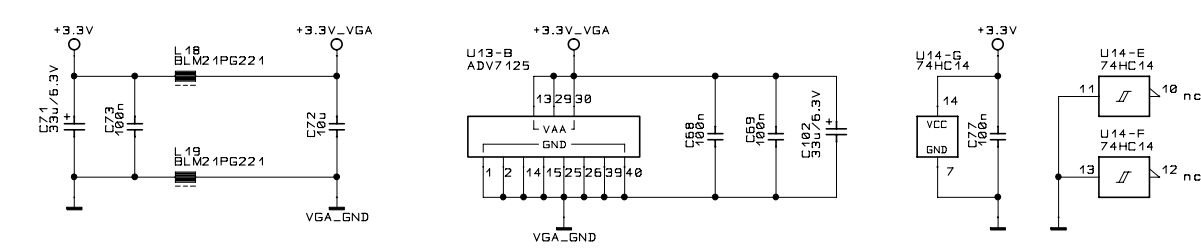
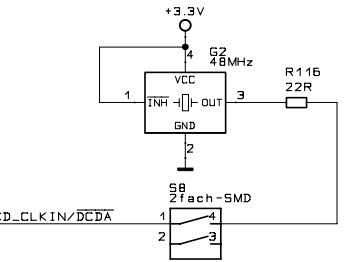
Usable for:		Scale:		Filename: JSCC9P9360_2a.scm	
		JSCC9P9360_2			
		V01/3017			
		ConnectCore 9P 9360 Development Board			
		JumpStart			
		ME1, RS232, VGA, SP1, 1C, 2xUSB Host...			
		Date		Title:	
Designer		05.05.2007		Power, Configuration, JTAG	
Approved					
ISO					
		Partnumber:		Sheet	
		L02988		5	
		Provided for:		of	
		Provided by:		9	
Rev.	Modification	Date	Name		
A	L15 C84 to 3028	05.07.07	HpS		



VGA Interface

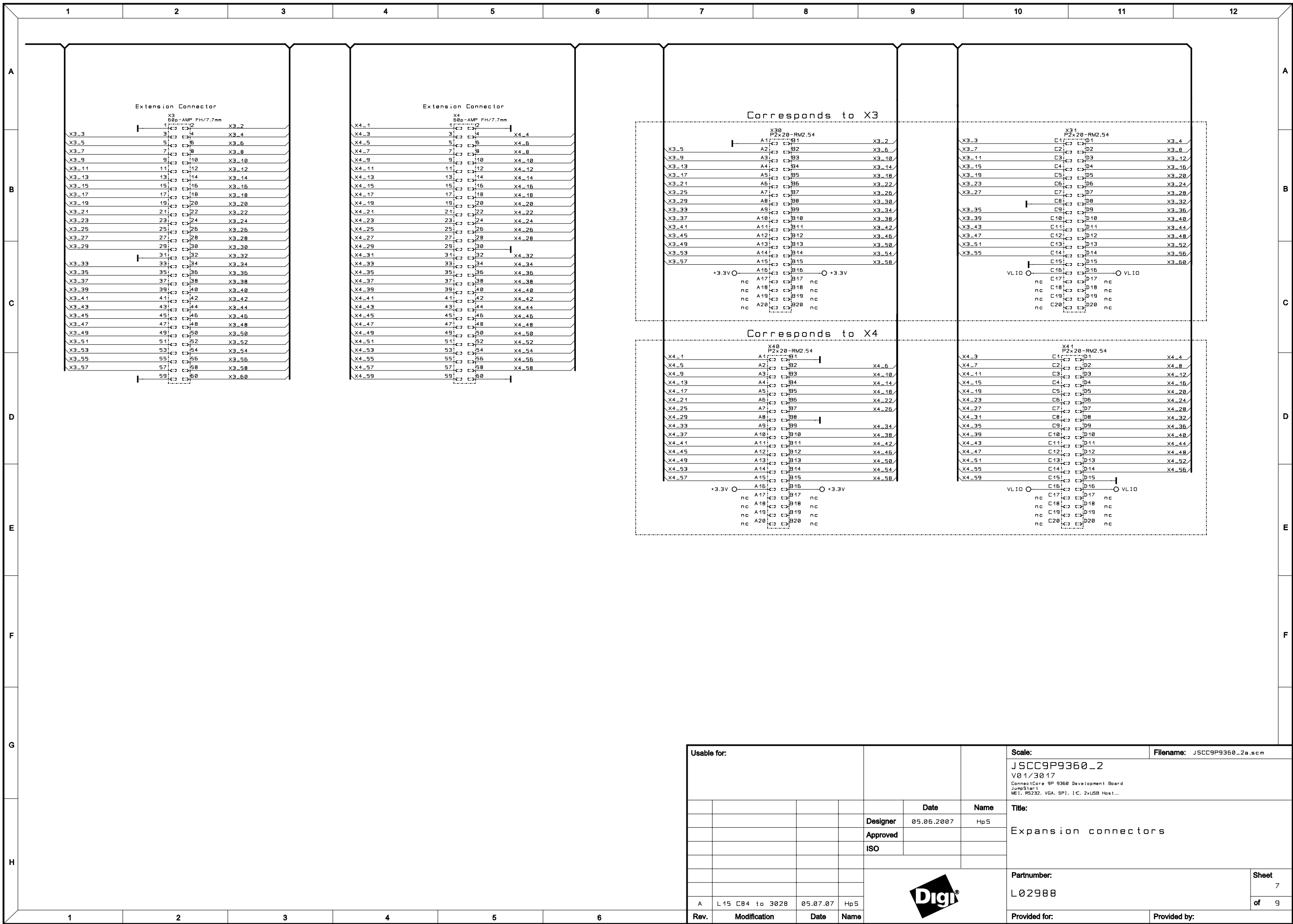


G2 sits near the module but belongs to VGA only (software has to set the correct GPIO function!)



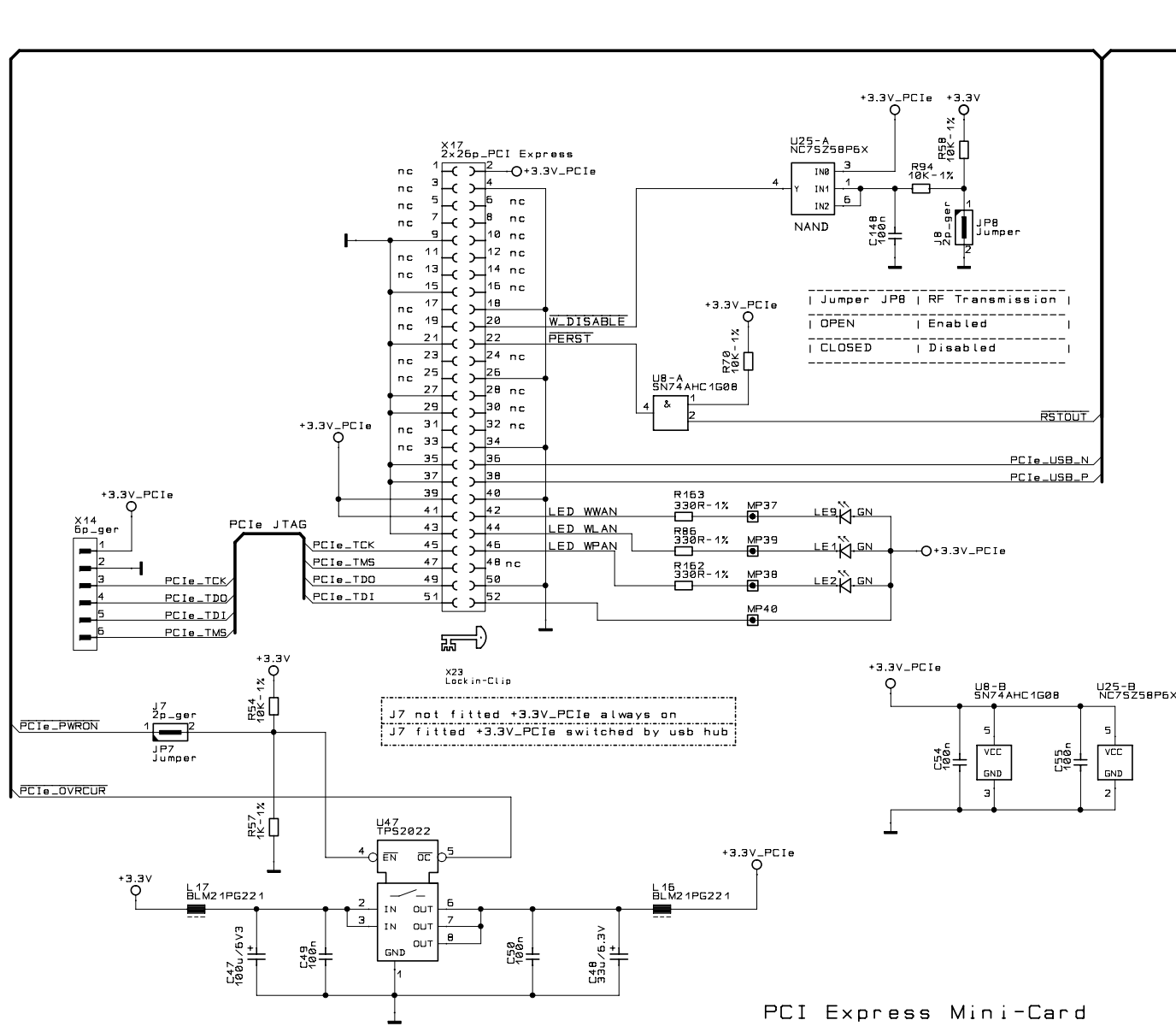
Usable for:		Scale:		Filename: JSCC9P9360_2a.scm	
		JSCC9P9360_2		V01/3017	
		ConnectCore 9P 9360 Development Board		JumpStart	
		ME1, RS232, VGA, SPI, I.C., 2xUSB Host...		Title:	
		Designer: 05.05.2007		Name: HpS	
		Approved:		VGA, Digital I/O	
		ISO:		Partnumber:	
				L02988	
				Sheet	
				6	
				of	
				9	
Rev.	Modification	Date	Name	Provided for:	
A	L15 C84 to 3028	05.07.07	HpS	Provided by:	



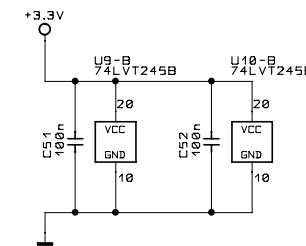
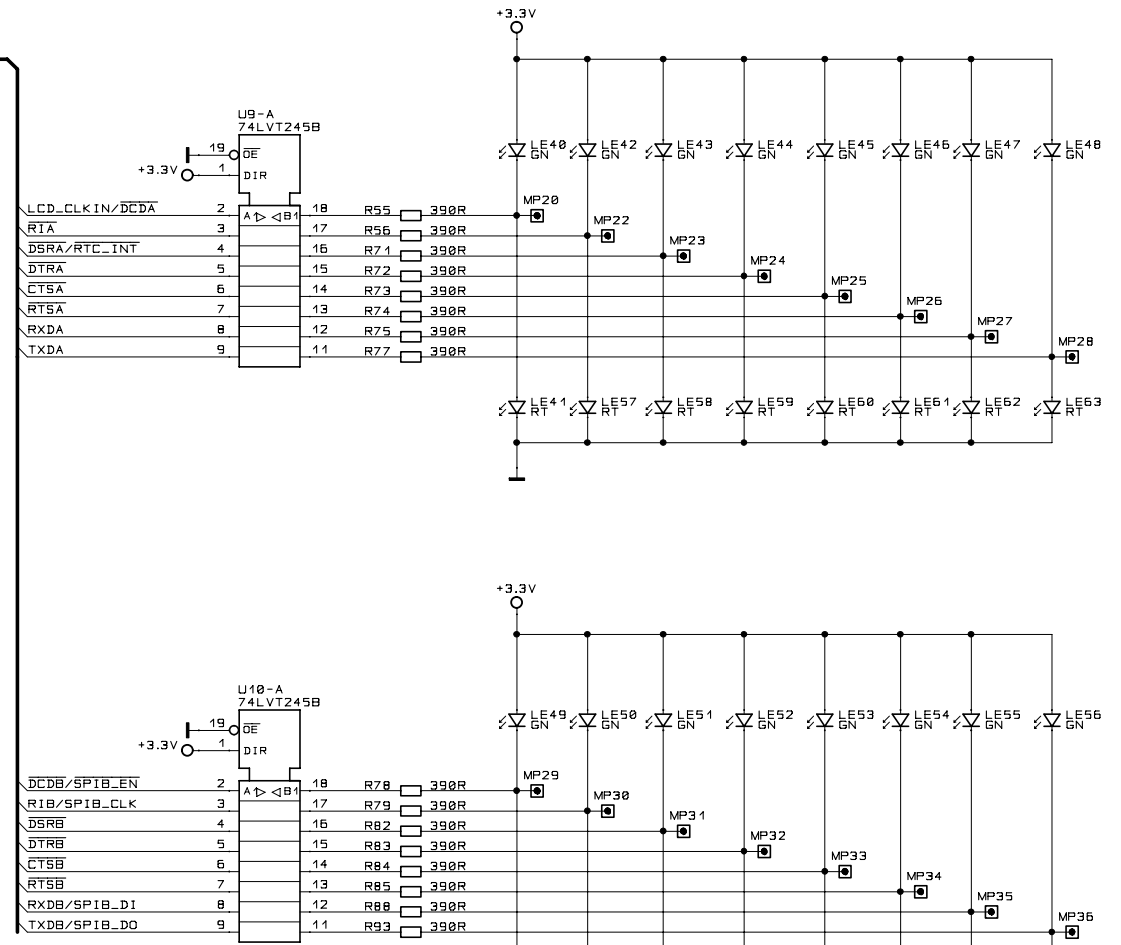


Usable for:				Scale:		Filename: JSCC9P9360_2a.scn	
				JSCC9P9360_2			
				V01/3017			
				ConnectCore 9P 9360 Development Board			
				JumpStart			
				ME1, RS232, VGA, SPI, I.C., 2xUSB Host...			
		Date		Name		Title:	
		Designer 05.05.2007		Hp5		Expansion connectors	
		Approved					
		ISO					
						Partnumber:	
						L02988	
						Sheet	
						7	
						of	
						9	
Rev.		Modification		Date		Name	
A		L15 C84 to 3028		05.07.07		Hp5	
						Provided for:	
						Provided by:	





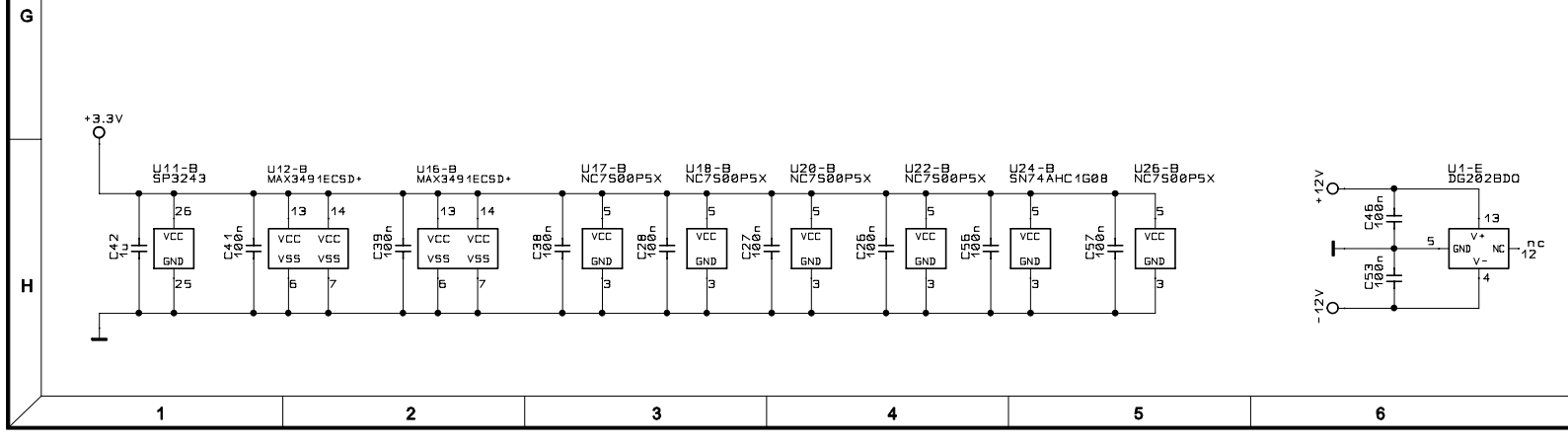
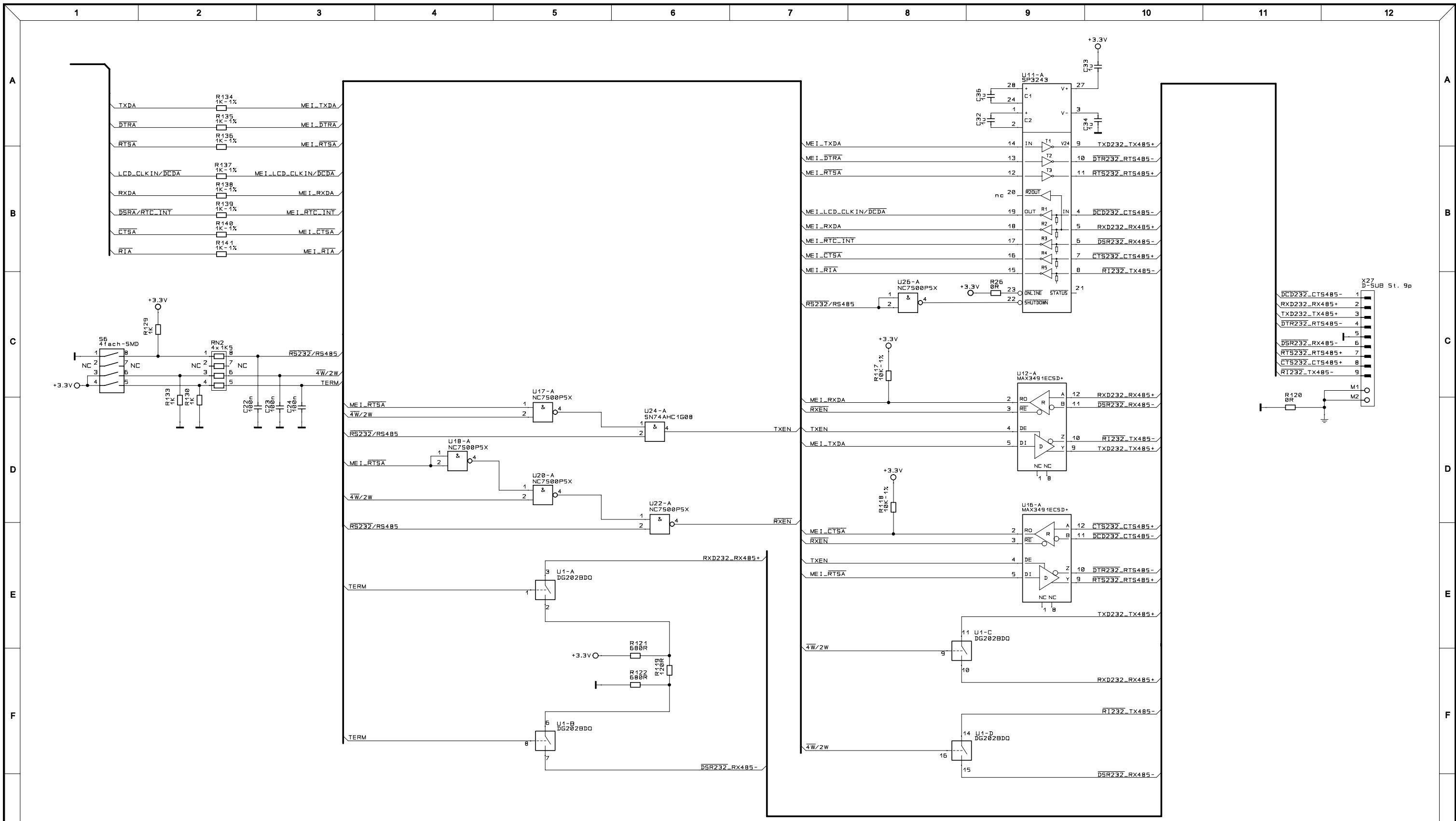
PCI Express Mini-Card



Usable for:				Scale:		Filename: JSCC9P9360_2a.scm	
				JSCC9P9360_2			
				V01/3017			
				ConnectCore 9P 9360 Development Board			
				JumpStart			
				ME1, RS232, VGA, SPI, I.C., 2xUSB Host...			
		Designer	Date	Name	Title:		
		Approved	05.05.2007	Hp5	PCIe, LEDs COMA, LEDs COMB		
		ISO					
				Partnumber:		Sheet	
				L02988		8	
				Provided for:		of	
				Provided by:		9	
Rev.	Modification	Date	Name				
A	L15 C84 to 3028	05.07.07	Hp5				

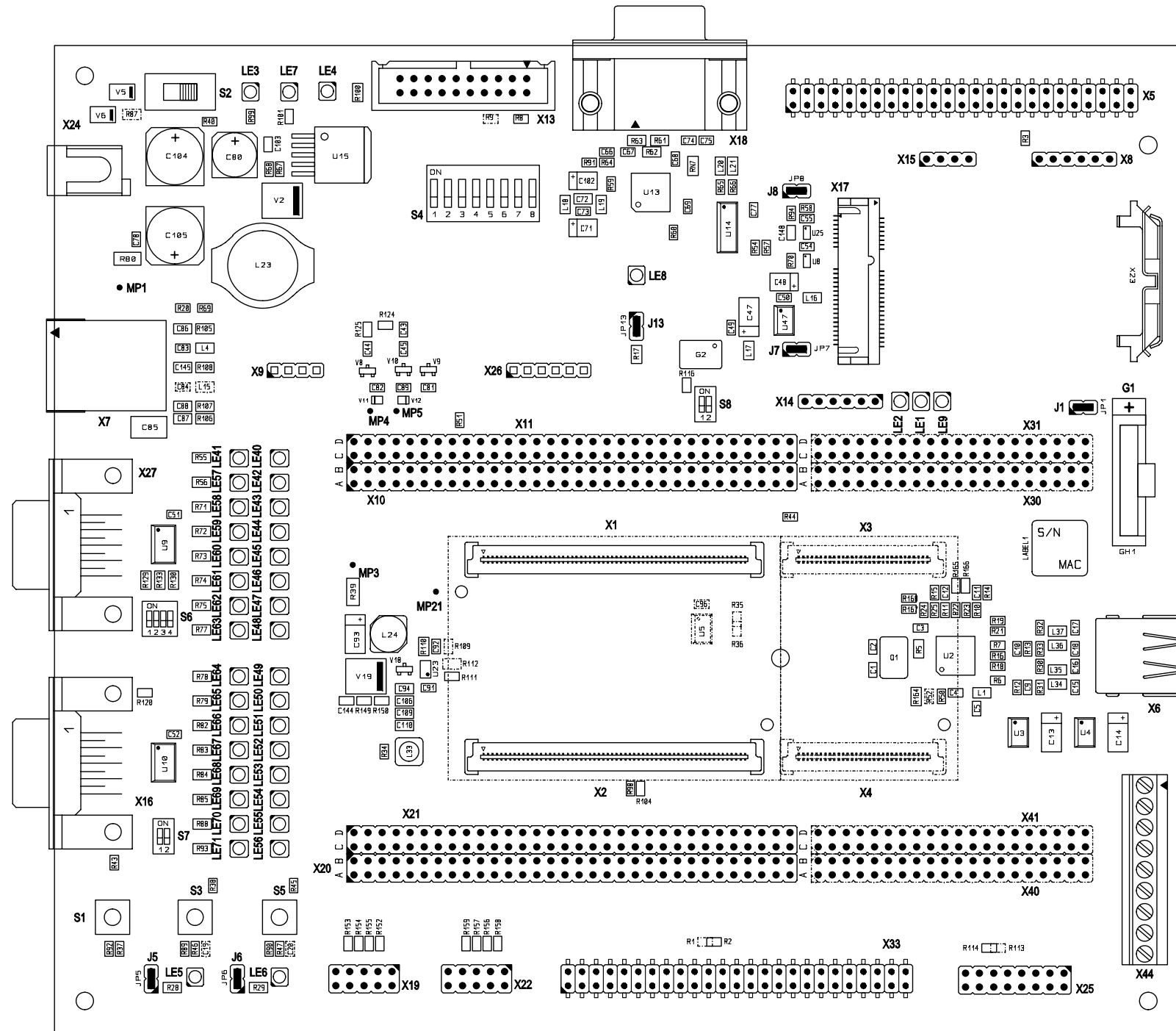






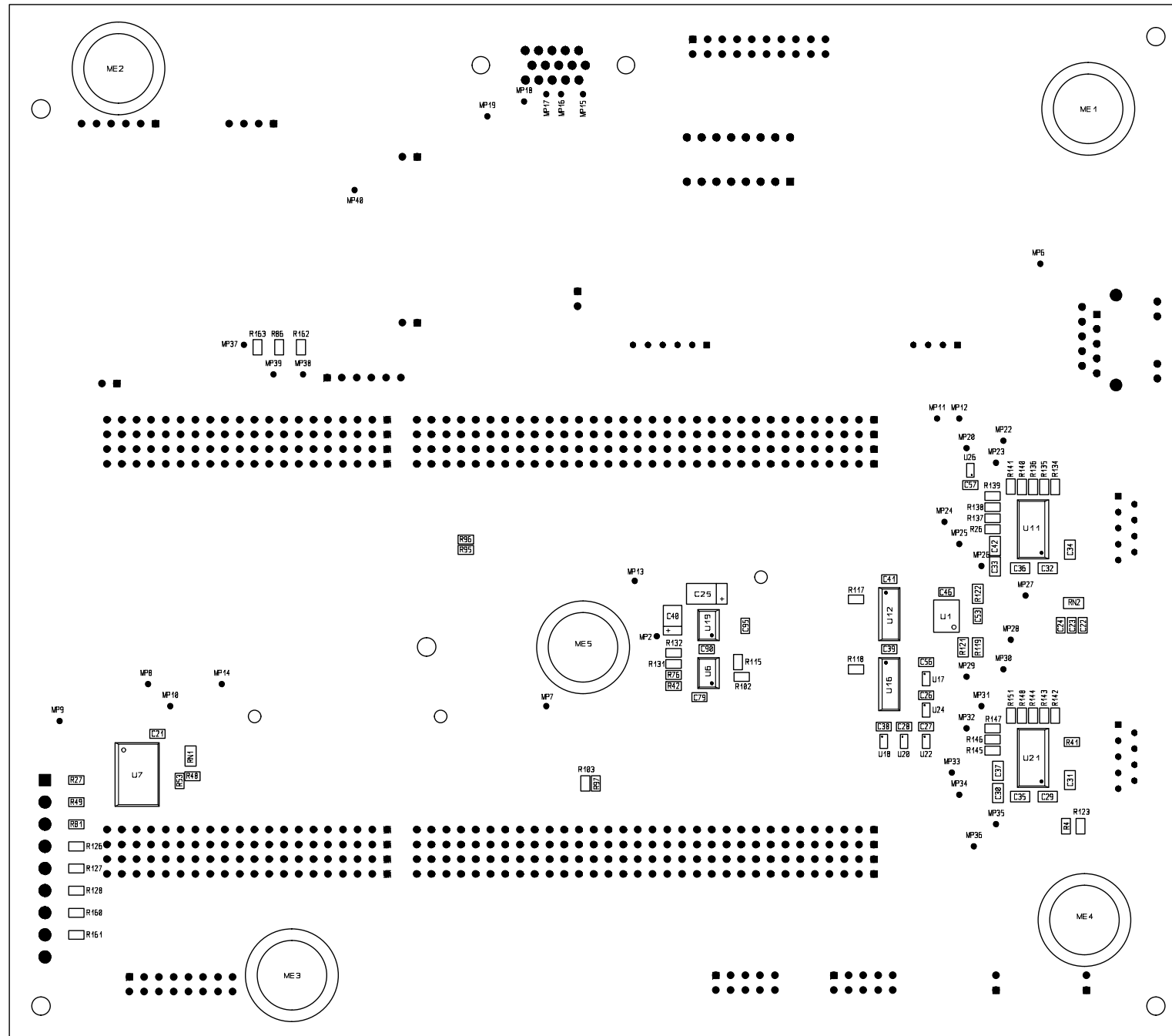
Usable for:		Scale:		Filename: JSCC9P9360_2a.scm	
		JSCC9P9360_2			
		V01/3017			
		ConnectCore 9P 9360 Development Board			
		JumpStart			
		MEI, RS232, VGA, SP1, 1 C, 2xUSB Host...			
		Designer: 05.05.2007		Name: HpS	
		Approved: ISO		Title: MEI_A	
				Partnumber: L02988	
				Sheet 9 of 9	
Rev. A		Modification: L15 C84 to 3028		Date: 05.07.07	
				Name: HpS	
				Provided for:	
				Provided by:	





JSCC9P9360\_2 Placement TOP 05.06.07

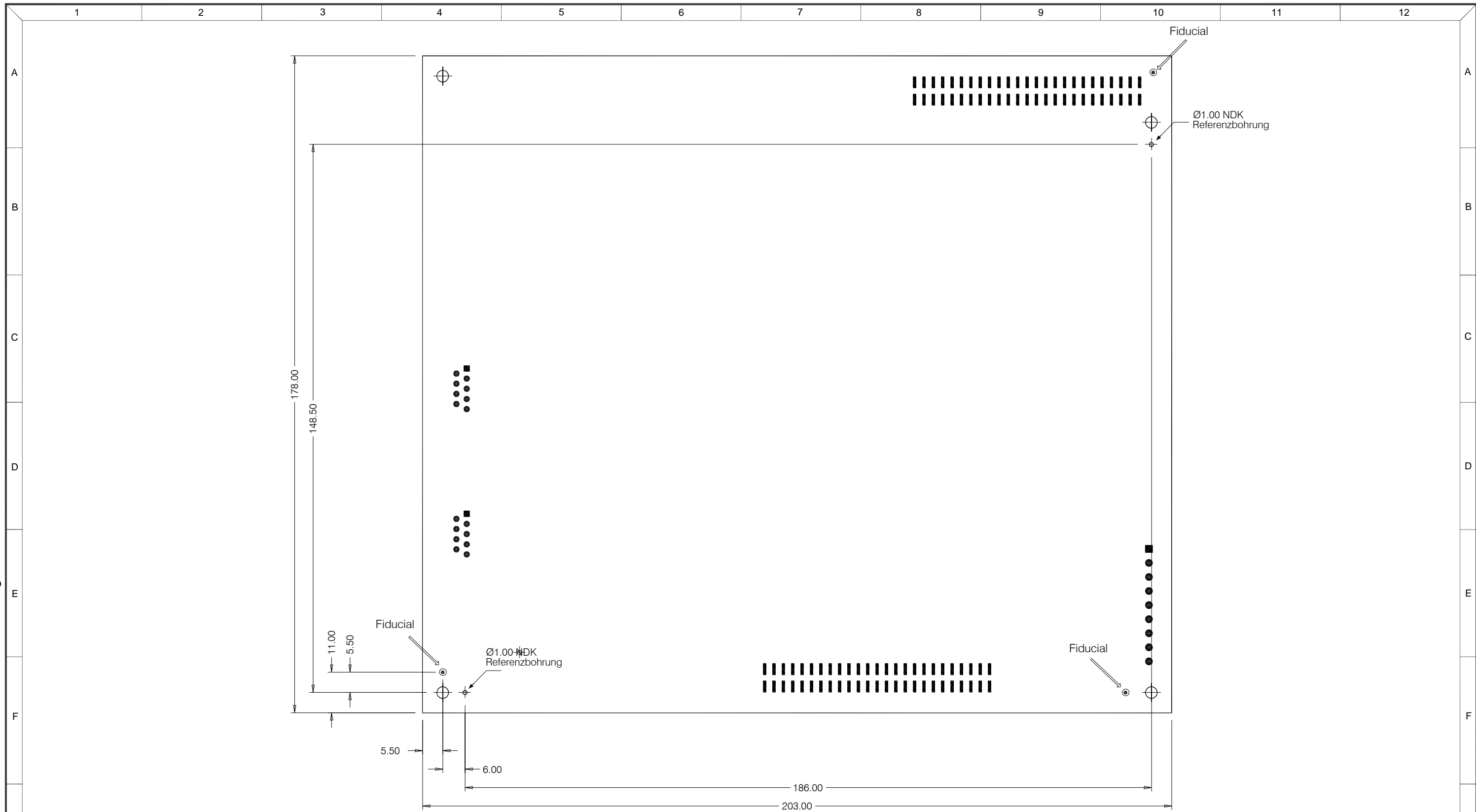
Usable for:				Scale:		Filename: JSCC9P9360_2a.pcb	
				JSCC9P9360_2			
				V01/3017			
				ConnectCore 9P 9360 Development Board			
				JumpStart			
				ME1: RS232, VGA, SPI, I.C, 2xUSB Host...			
				Title:		Placement TOP Side	
				Partnumber:		Sheet	
				L02988		1	
				Provided for:		of 2	
				Provided by:			
Rev.	Modification	Date	Name				
A	L15 C84 to 3028	05.07.07	SC				
				Designer	Date	Name	
				Approved			
				ISO			



JSCC9P9360\_2 Placement BOTTOM Side 05.06.07


Usable for:				Scale:		Filename: JSCC9P9360_2a.pcb	
				JSCC9P9360_2		V01/3017	
				ConnectCore 9P 9360 Development Board		JumpStart	
				ME1, RS232, VGA, SPI, I.C. 2xUSB Host...			
				Designer		Date	
				05.06.07		SC	
				Approved			
				ISO			
				Title:		Placement BOTTOM Side	
				Partnumber:		Sheet	
				L02988		2	
				of		2	
Rev.				Modification		Date	
A				L15 C84 to 3028		05.07.07	
						SC	
				Provided for:		Provided by:	





Alle Maßangaben in mm.

**BEACHTEN:**  
 Versatz der Referenzbohrungen zu den Fiducials <=0,1mm.  
 Versatz der Fräskontur zu den Fiducials ±0,2mm.  
 DK- und NDK-Bohrungen in einem Arbeitsgang bohren!

Usable for:		Allgemein-Toleranzen ± 0,2mm		Scale: 1:1		Filename: JSCC9P9360_2_LP.DWG	
				JSCC9P9360_2			
				Date		Name	
				05.06.07		SC	
				Appr.			
				Stand.			
							
				Partnumber:		Sheet 1	
				L02944		of 1	
Rev.		Modification		Date		Name	
				Provided for:		Provided by:	