



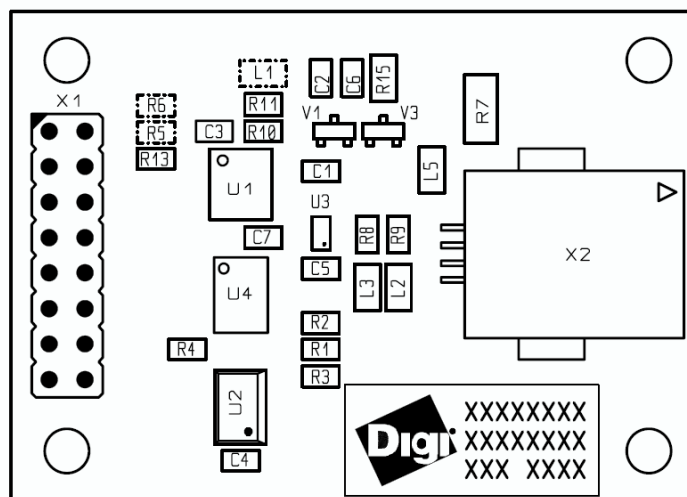
USB Device Application Kit USBDEV_JS_0_V01 / 3019

USB Device Application Board for Digi JumpStart Kits™

Supported Digi JumpStart Kit Development Boards
ConnectCore™ 9P 9360, ConnectCore™ 9C, ConnectCore™ Wi-9C

Supported Digi JumpStart Kit Software Platforms
NET+OS 7, Digi Embedded Linux 4, Microsoft Windows Embedded CE 6.0*

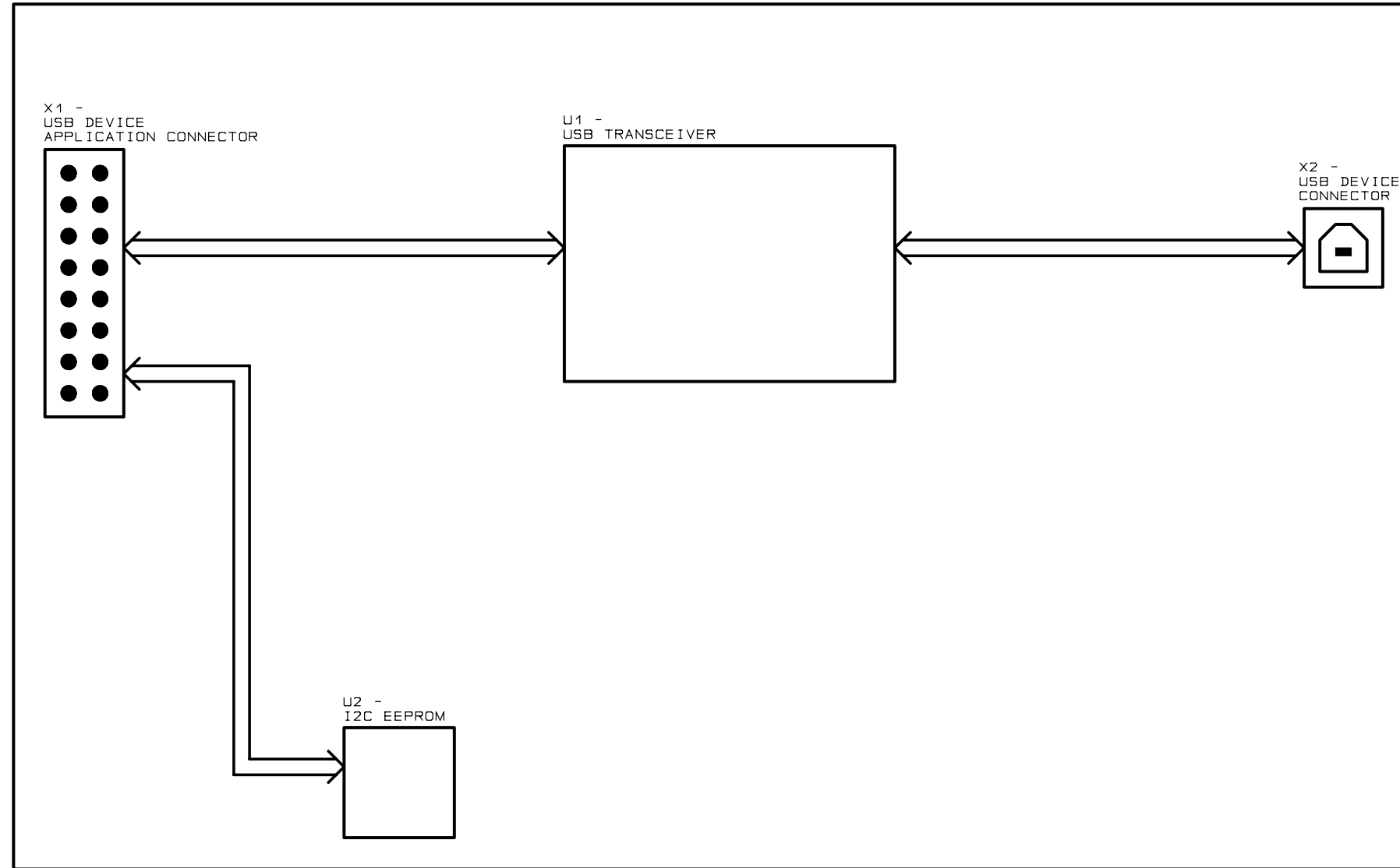
* Microsoft Windows CE 6.0 currently does not support network class driver



www.digi.com

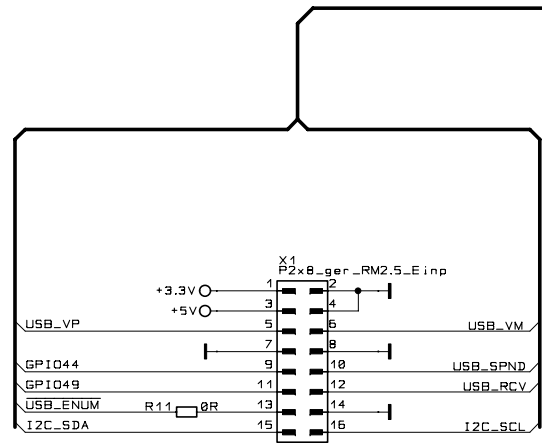


BLOCK DIAGRAM : USB-Device Application Board for
JumpStart ConnectCore 9C/Wi-9C and ConnectCore 9P 9360



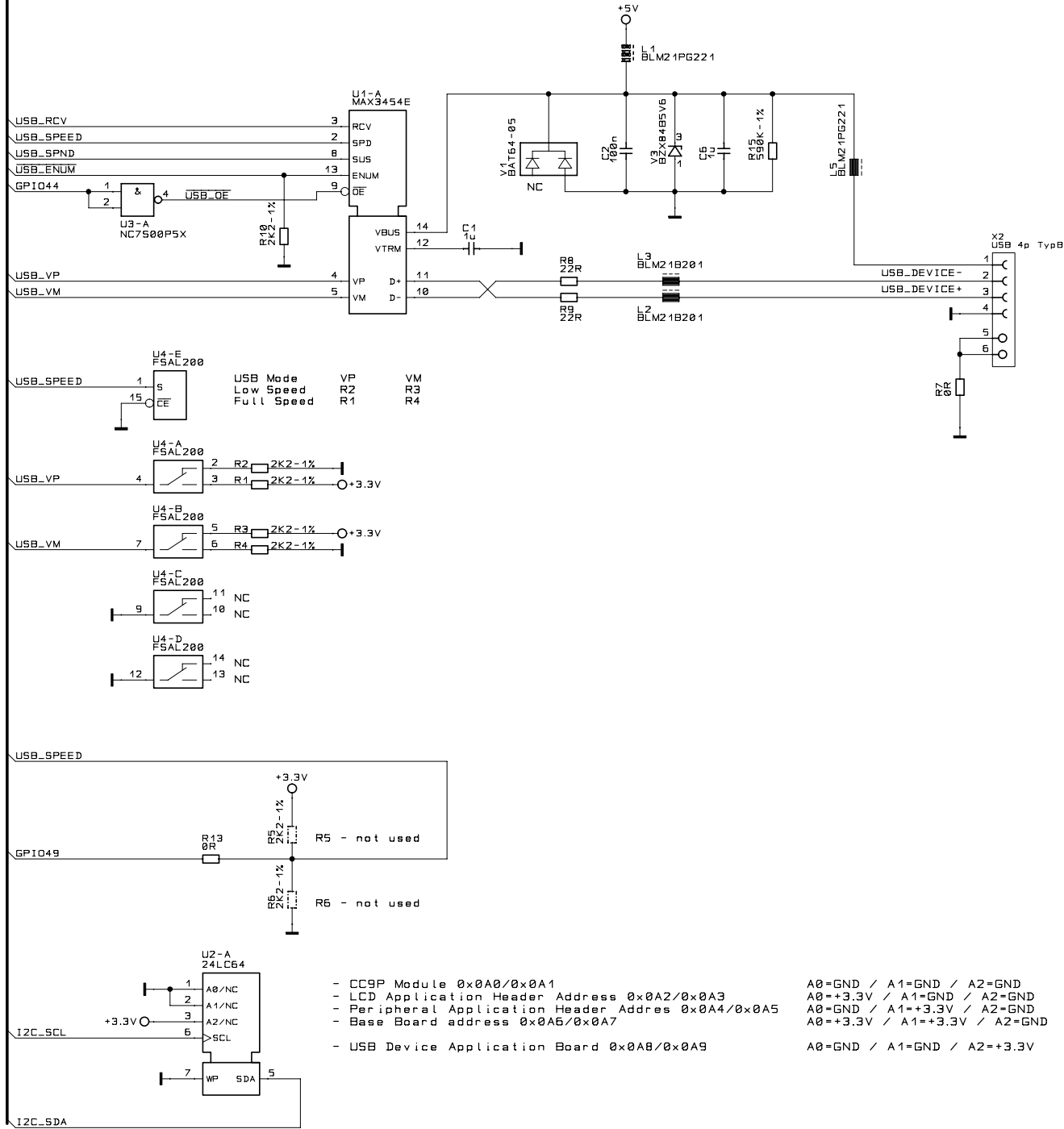
All rights reserved © Digi International Inc.

Usable for:				Scale:			Filename: USBDEV_JS_0.scm	
				USBDEV_JS_0				
				V01/3019				
				USB-Device Application Board for JumpStart ConnectCore 9C/Wi-9C and ConnectCore 9P 9360				
				Designer	Date	Name	Title:	
					12.02.07	MS	USB-Device Application Board -	
				Approved			Bloc Diagram	
				ISO				
							Partnumber:	Sheet
							L02906	1
							of	2
Rev.	Modification	Date	Name	Provided for:			Provided by:	

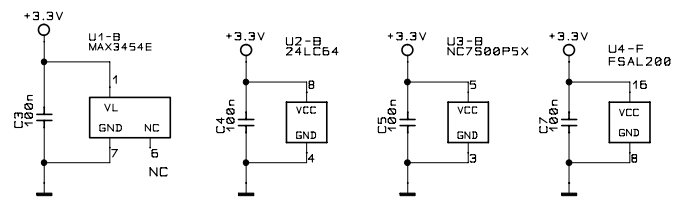


GPIO TABLE:

USB_VP	=	NS9360	GPIO42
USB_VM	=	NS9360	GPIO43
USB_OE	=	NS9360	GPIO44
USB_SPND	=	NS9360	GPIO48
USB_SPEED	=	NS9360	GPIO49
USB_RCV	=	NS9360	GPIO45
USB_ENUM	=	NS9360	GPIO46



- CC9P Module 0x0A0/0x0A1
 - LCD Application Header Address 0x0A2/0x0A3
 - Peripheral Application Header Address 0x0A4/0x0A5
 - Base Board address 0x0A6/0x0A7
 - USB Device Application Board 0x0A8/0x0A9
- A0=GND / A1=GND / A2=GND
A0=+3.3V / A1=GND / A2=GND
A0=GND / A1=+3.3V / A2=GND
A0=+3.3V / A1=+3.3V / A2=GND
A0=GND / A1=GND / A2=+3.3V



Usable for:				Scale:		Filename: USBDEV_JS_0.scm	
				USBDEV_JS_0 V01/3019 USB-Device Application Board for JumpStart ConnectCore 9C/Wi-9C and ConnectCore 9P 9360			
				Title:		USB-Device Application Board - USB Device, Configuration switch and EEPROM	
				Partnumber:		L02906 Sheet 2 of 2	
				Provided for:		Provided by:	
Rev.	Modification	Date	Name	Designer	12.02.07	Name	MS
				Approved			
				ISO			



1

2

3

4

5

A

A

B

B

C

C

D

D

E

E

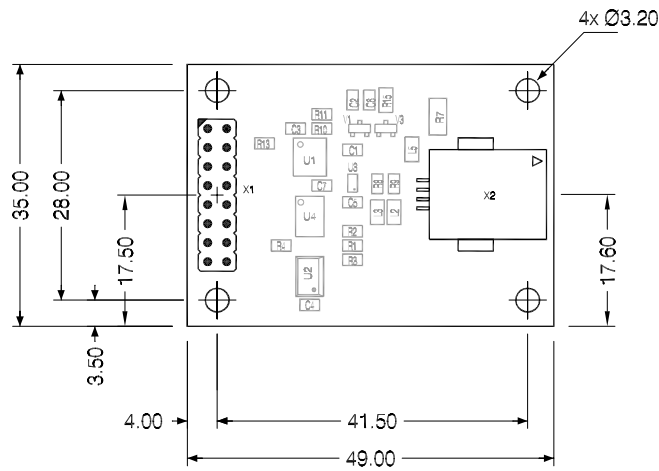
F

F

USBDEV_JS_0
Placement TOP 12.02.07

All rights reserved
© Digi International Inc.

Usable for:				Scale:		Filename: USBDEV_JS_0.pcb	
				USBDEV_JS_0 V01/3019			
				USB-Device Application Board for JumpStart ConnectCore 9C/Wi-9C and ConnectCore 9P 9360			
				Designer	Date	Name	Title: Placement TOP Side
				Approved	12.02.07	SC	
				ISO			
						Partnumber:	Sheet
						L02906	1
Rev.	Modification	Date	Name	Provided for:		Provided by:	
						of 1	



				Scale: 1:1		Filename: USBDEV_JS_MECH.dwg	
				USB-Device Application Board			
				Title:			
				Dimensions TOP			
				Partnumber:		Sheet	
				L02906		1	
						of 1	
				Provided for:		Provided by:	
Rev.	Modification	Date	Name	