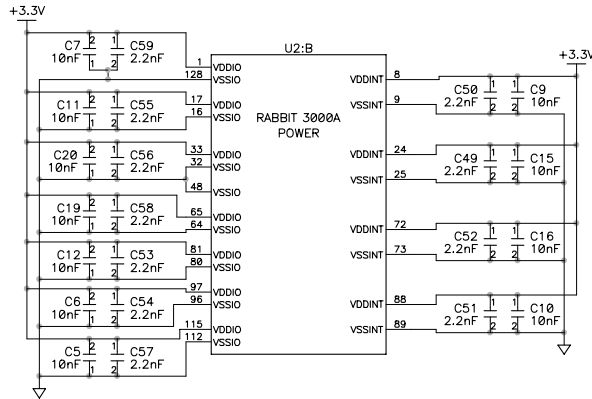


POWER TABLE

Ref Des	Device	GND	+3.3V	+5V	VRAM
U1	FLASH	24	8		
U3	FLASH	24	8		
U4	SRAM	24			8
U8	74LCX245	10	20		
U9	RTL8019AS	86,83,52,44,28,14		89,70,57,47,17,6	
U10	74LCX245	10	20		
U11	74ALVC32	7	14		



- NOTES: UNLESS OTHERWISE SPECIFIED;
- ALL RESISTOR VALUES ARE IN OHMS, 1/16W, 5%.
 - THE ORIGIN SOURCE OF A VOLTAGE IS REPRESENTED BY (vcc), AND ALL REFERENCES TO THAT VOLTAGE ARE REPRESENTED BY (vcc).
 - OUTLINED CIRCUIT MAY NOT BE STUFFED DEPENDING ON MODEL, SEE STUFFING CHART FOR CLARIFICATION.
 - COMPONENT VALUES SHOWN WITH AN ASTERISK (*) FOLLOWING THE VALUE, MAY HAVE DIFFERENT VALUES, OR MAY NOT BE STUFFED DEPENDING ON MODEL. SEE STUFFING CHART FOR CLARIFICATION.

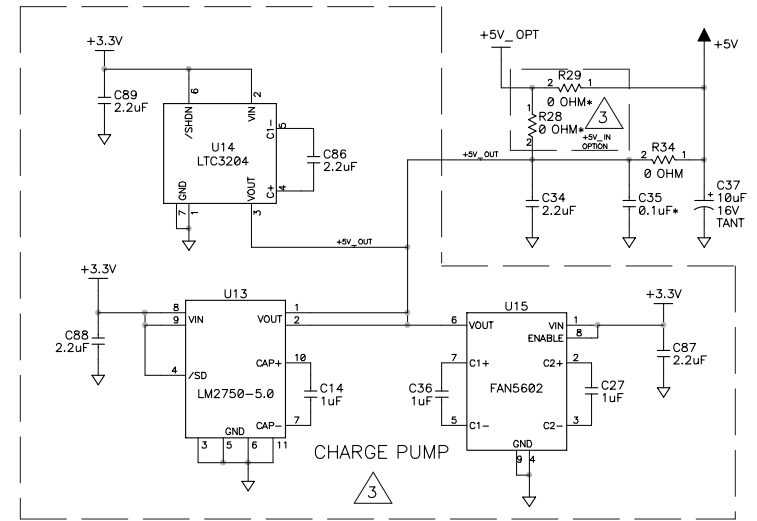
STUFFING TABLE

CIRCUIT	PART	RCM3000	RCM3010
SRAM	U4	512K	128K
SRAM select	JP4	2-3	1-2
FLASH 1	U1	256K	256K
FLASH 1 select	JP2	1-2	1-2
FLASH 2	U3	256K	NOT INSTALLED
FLASH 2 select	JP3	1-2	NOT INSTALLED
BANK SELECT	JP1	1-2	1-2
EXT DATA BUS	JP5	2-3	2-3
POWER TO VRAM	R19	NOT INSTALLED	NOT INSTALLED
+5V_OUT	R29	NOT INSTALLED	NOT INSTALLED
+5V_IN	R28	NOT INSTALLED	NOT INSTALLED
PORT D OPTION	R15, R17, R22, R27	INSTALLED	INSTALLED
FUTURE OPTION	R38, R39, R40, R41, R42, R43	NOT INSTALLED	NOT INSTALLED
CHARGE PUMP	U15 C27, C36	INSTALLED	INSTALLED
	U13, U14, C14, C35, C86, C88, C89,	NOT INSTALLED	NOT INSTALLED
INTERRUPT OPTION	R35	NOT INSTALLED	NOT INSTALLED
RTC	U12	INSTALLED	INSTALLED
	R49	NOT INSTALLED	NOT INSTALLED
ETHERNET	C38,C42	NOT INSTALLED	NOT INSTALLED

REVISION HISTORY

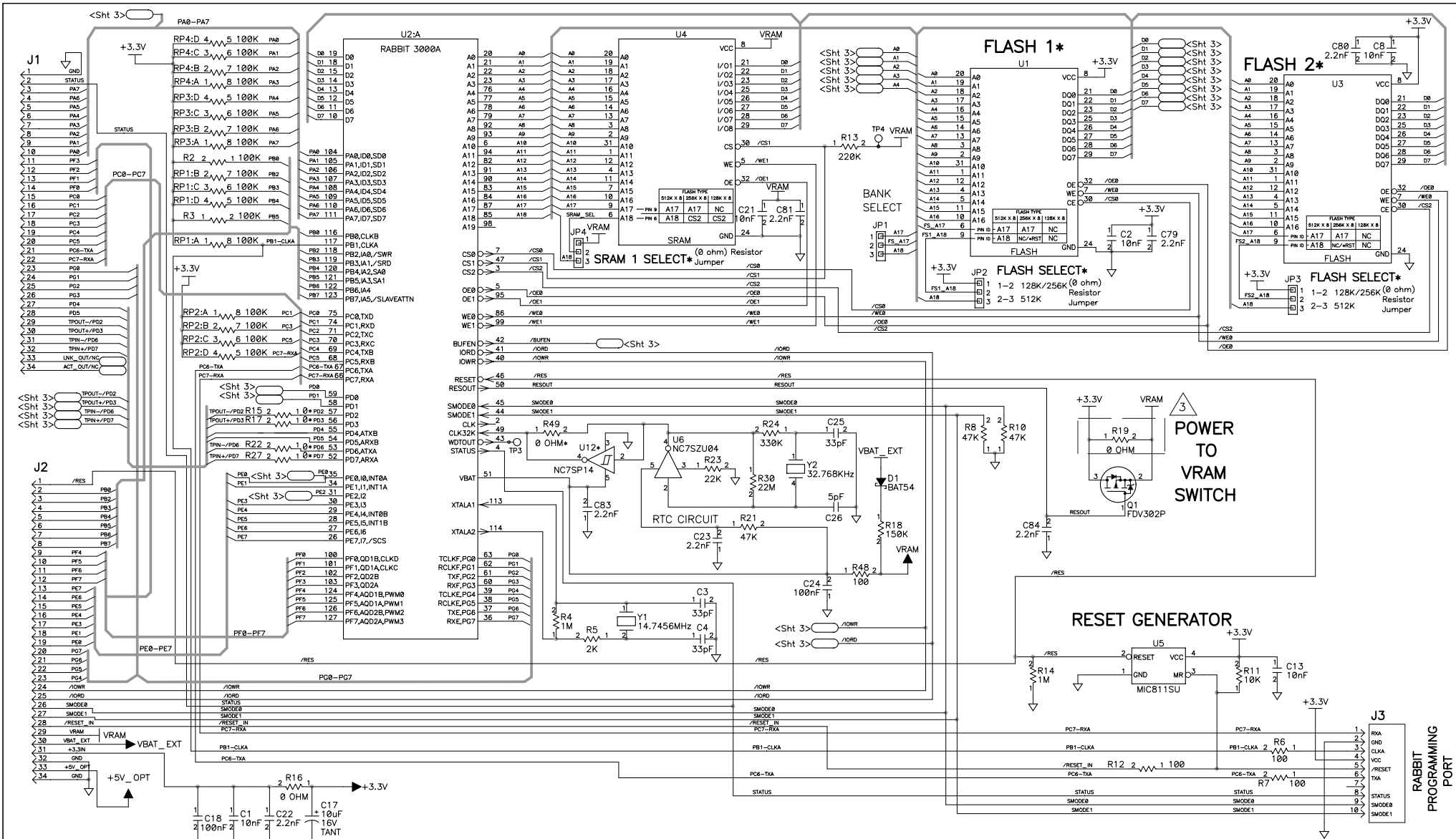
REVISION APPROVAL

REV	ECO	DESCRIPTION	PROJECT ENGINEER	APPROVAL DATE	DOCUMENT CONTROL	APPROVAL DATE
B	E11897	ADDED C48, Q2, U10, U11, JP5. CHANGED D1, R14, R48.	DM	4/9/02	KIS	4/9/02
C	E11956	ADDED DECOUPLING CAPS, PULL-UPS PORT A. CHANGED R48, R18, Q1	DM	5/30/02	KIS	5/30/02
D	E12092	CHANGED VALUE OF R20,23 FROM 22K TO 0 AND 2K, RESPECTIVELY. IMPROVES RTC.	DM	10/2/02	KIS	10/2/02
E	E12158	CHANGED RTC CIRCUITRY, ADDED U12	DM	1/16/03	KIS	1/16/03
F	E12329	REMOVED R25,37; CONNECTED PD1,/BUFEN TO BD5, BD7	DM	7/16/03	KF	7/15/03
G	E12404	IMPROVE ETHERNET JACK. REMOVE CAPS, BETTER CONNECTOR.	XT	9/23/03	KF	9/23/03
H	E12719	Changed R3000 to R3000A, removed U12, added R49 Changed RTC resistor values	DM	4/7/04	KF	4/7/04
J	E14111	INSTALL SCHMITT TRIGGER AT U12. REMOVE RESISTOR FROM R49.	XT	9/30/05	KF	9/29/05
K	E14874	REVISED 5V CHARGE PUMP AND PACKAGE SIZE OF C3, C4, C17, R8, R10, R48	XT	11/1/06	KF	11/1/06
L	001024	CHANGE FREQUENCY OF Y1 TO THE CORRECT VALUE OF 14.7456MHZ	HH	3/25/09		



COPYRIGHT 2009, DIGI INTERNATIONAL, INC

APPEND THE FOLLOWING DOCUMENTS WHEN CHANGING THIS DOCUMENT:		DRAWING CONTENT:		TITLE	RABBIT SEMICONDUCTOR
		DRAWN BY: (INITIAL RELEASE) DARREN MUSGROVE	3/15/02		
		REVISED BY: H. HAM	3/25/09		
APPROVALS: INITIAL RELEASE				SIZE B	DWG NO. 090-0136
PROJECT ENGINEER:					
ENGINEERING MANAGER:				SCALE	NONE
SIGNATURES		DATE		RELEASE DATE	3/19/02
				SHEET	1 OF 3



3/25/09 COPYRIGHT 2009, DIGI INTERNATIONAL, INC

SIZE	DWG NO.		
B	090-0136		
SCALE	NONE	REV LTR	L
		SHEET	2 OF 3

