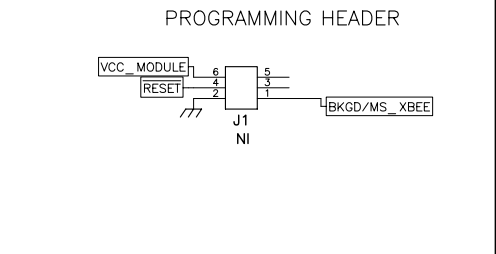
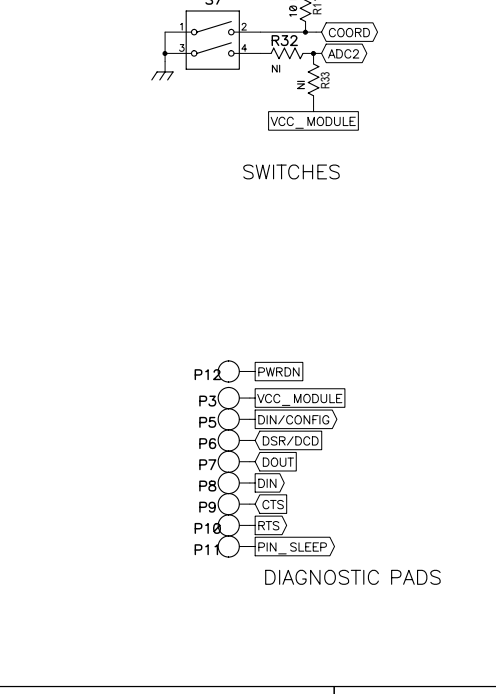
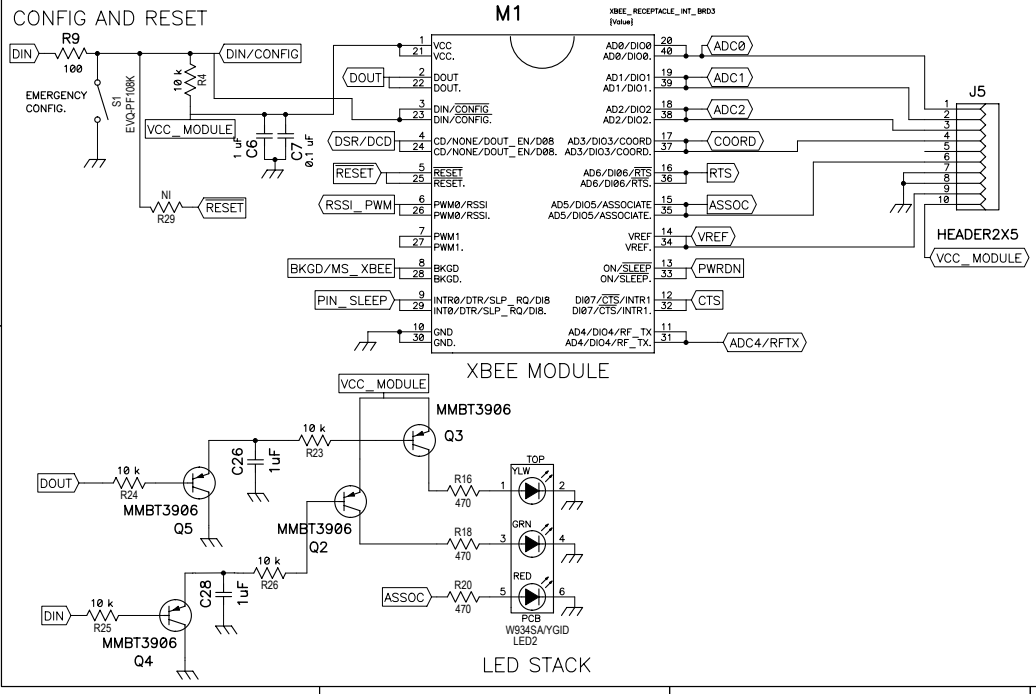
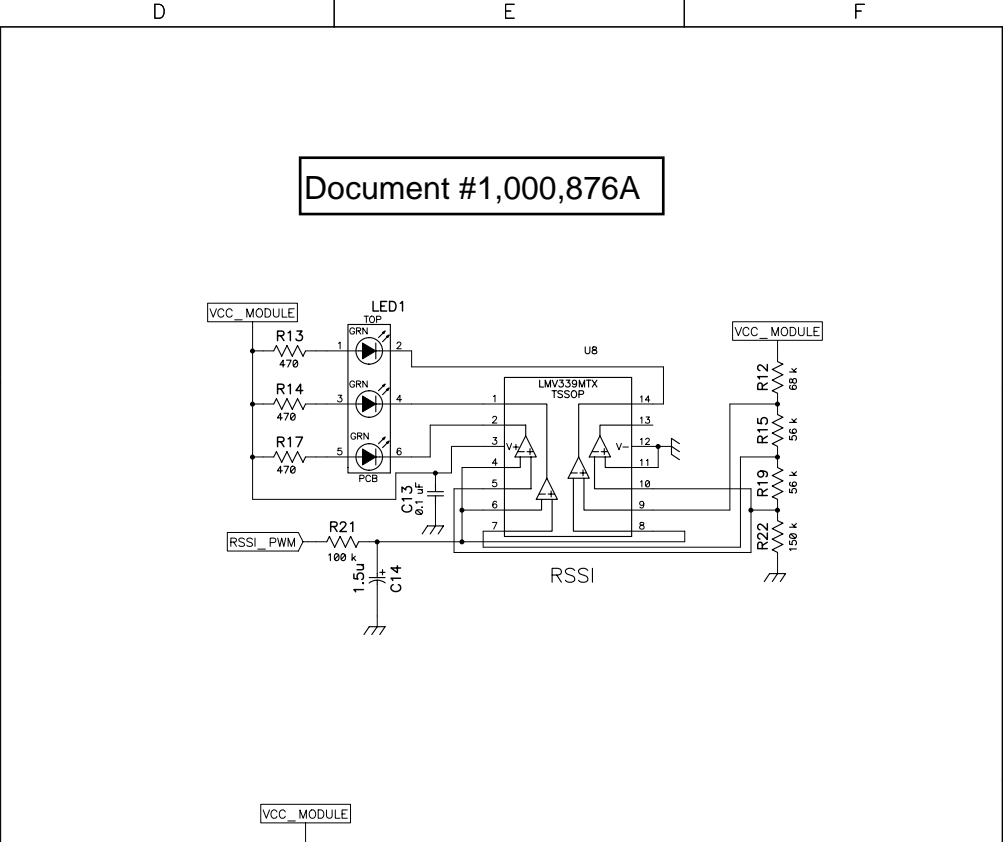
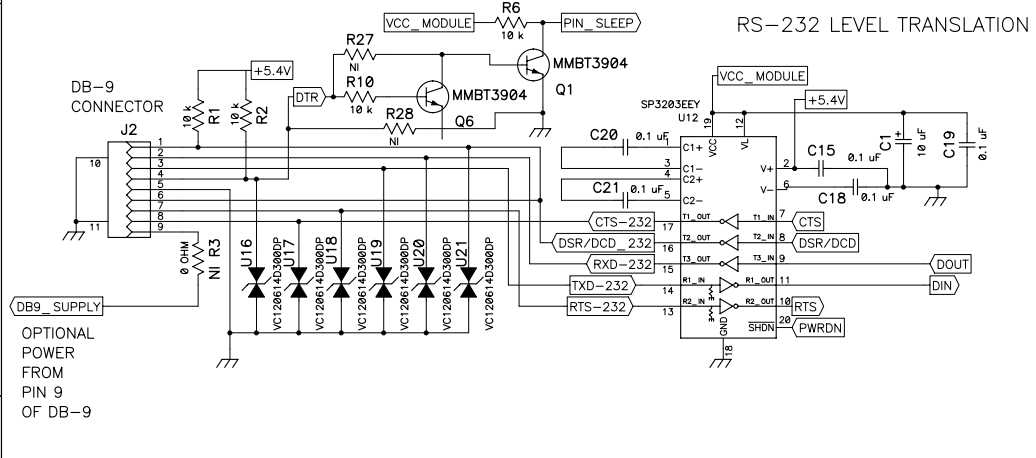
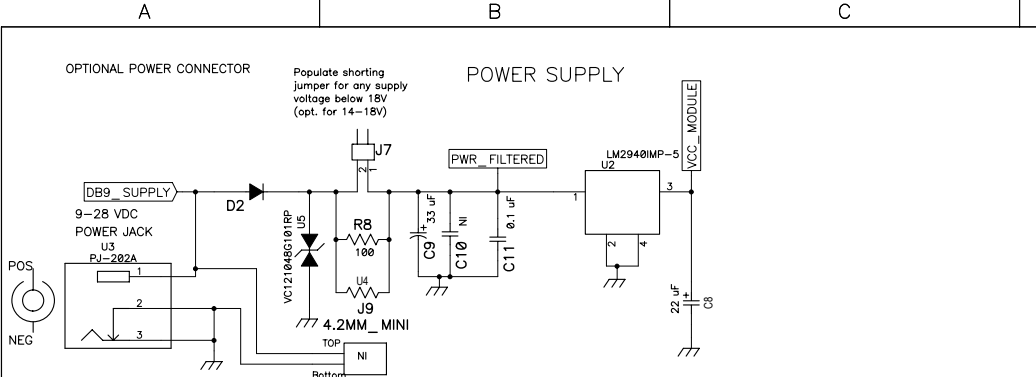


Document #1,000,876A



| PLASTIC PARTS (NOT INSTALLED) | | | |
|--------------------------------------------------|-------------------|--------------------------------------|---------------|
| Richco www.richco-inc.com V-1004 | | Plastic Rivet | |
| ANTENNA CLIP J3 | | J4 | |
| MISCELLANEOUS | | | |
| MMS-110-01-L-SV or 2254-1X100 2mm receptacle U10 | | Hdr Shorting Jumper INSTALL ON J7 U7 | |
| MMS-110-01-L-SV or 2254-1X100 2mm receptacle U11 | | M100252 PCB1 LABOR1 | |
| Title Zigbee RS-232 Interface Board | | | |
| Size C | Number MAXSTREAM | XZIB-R | Rev |
| Date | January 7, 2005 | Drawn by | JEREMY WILLEN |
| Filename | XBIB-R_REV_5a.sch | Sheet | 1 of 1 |