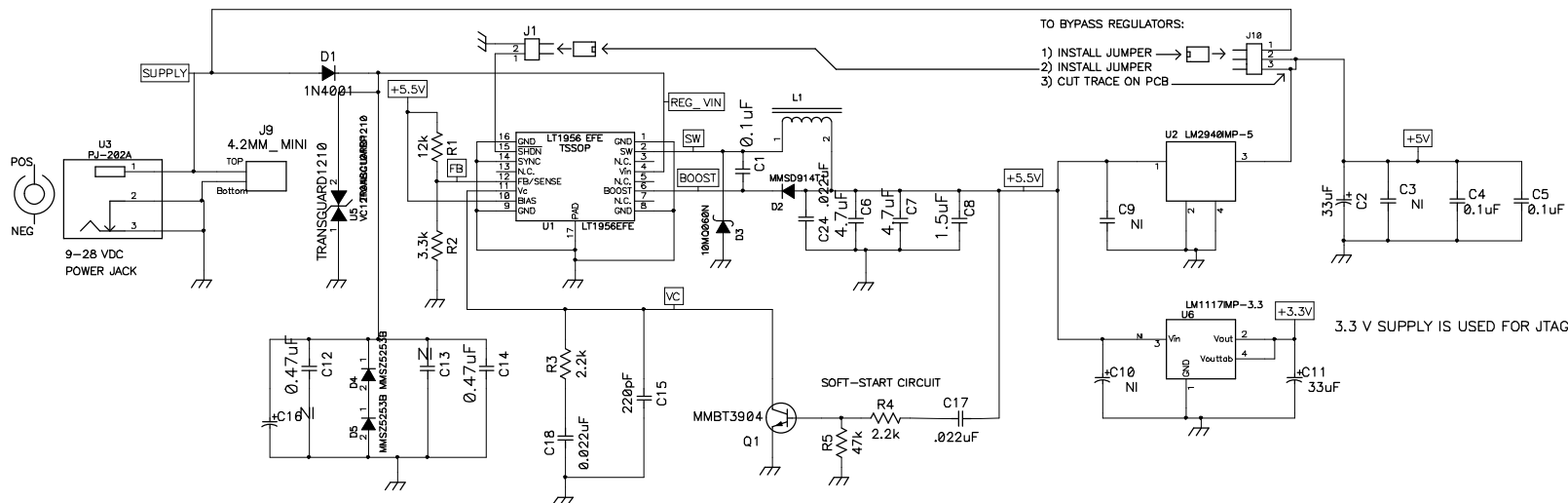
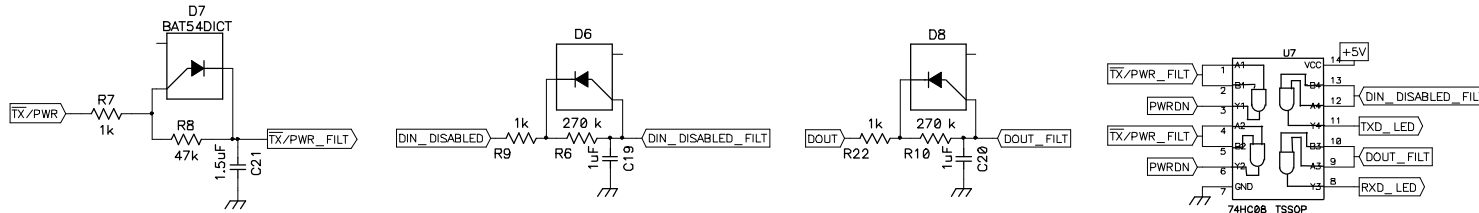


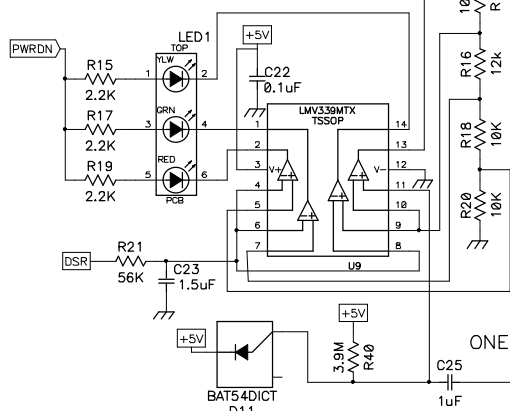
POWER SUPPLIES



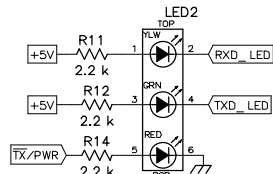
SIGNAL CONDITIONING



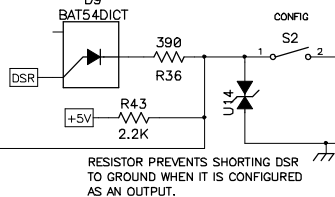
RESET_TINY26



LED ARRAY



PUSH BUTTON



Document #1,000,576L

MISCELLANEOUS

<input type="checkbox"/> SO1	<input type="checkbox"/> PCB1	
<input type="checkbox"/> SO2	<input type="checkbox"/> M100387	
<input type="checkbox"/> SO3	<input type="checkbox"/> Mount Female	
<input type="checkbox"/> SO4	<input type="checkbox"/> U12	
	<input type="checkbox"/> Shorting Jumper	
	<input type="checkbox"/> U8	
Title 9XTEND INTERFACE BOARD		
Size C	Number MAXSTREAM XTIB-R	Rev 10A
Date July 26, 2005	Drawn by JEREMY WILLDEN	
Filename XTIB-R_REV10A.sch	Sheet 1	of 2

