

# PRODUCT NOTICE # 8-4-10-1



## Subject:

Direction of UART RTS# and CTS# signals reversed

## Date:

8/4/10

## Product:

ConnectCore Wi-i.MX51

## Affected Part Numbers:

Part Number	Description
30011032-01	ConnectCore for i.MX51 Development Board

## Notice:

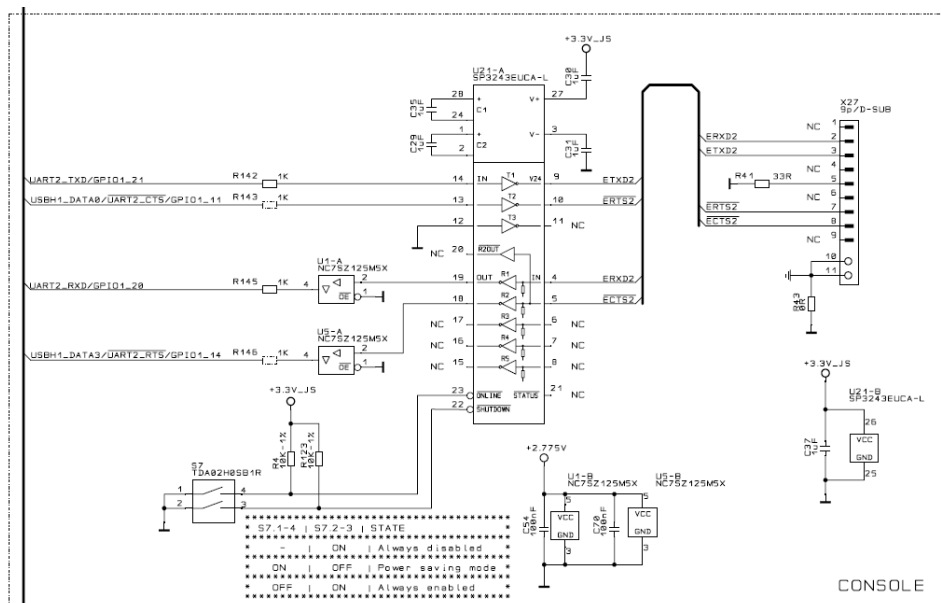
The RTS# and CTS# handshake signal (UART1/2/3) direction is reversed on the development board for the ConnectCore Wi-i.MX51.

Please note that this issue cannot be addressed using an external patch cable.

This affects development boards with Digi P/N 30011032-01 (PCB) only.

The issue has also been addressed in the official Freescale documentation for the i.MX51 application processor.

The schematics below provide a correct reference implementation with additional level shifting (+2.775V) capabilities.



Please use the following close-up image to assist you in locating the Digi part number on the ConnectCore for i.MX51 development board.



If you have any questions or concerns, please contact the Digi technical support experts online at [www.digi.com/support](http://www.digi.com/support).

---

Mike Rohmoser  
Product Manager, Embedded Solutions  
Digi International, 11001 Bren Rd E  
Minnetonka, MN 55343, USA

[miker@digi.com](mailto:miker@digi.com)

Phone : +1 952 912 3424  
Fax : + 1 952 912 4956