



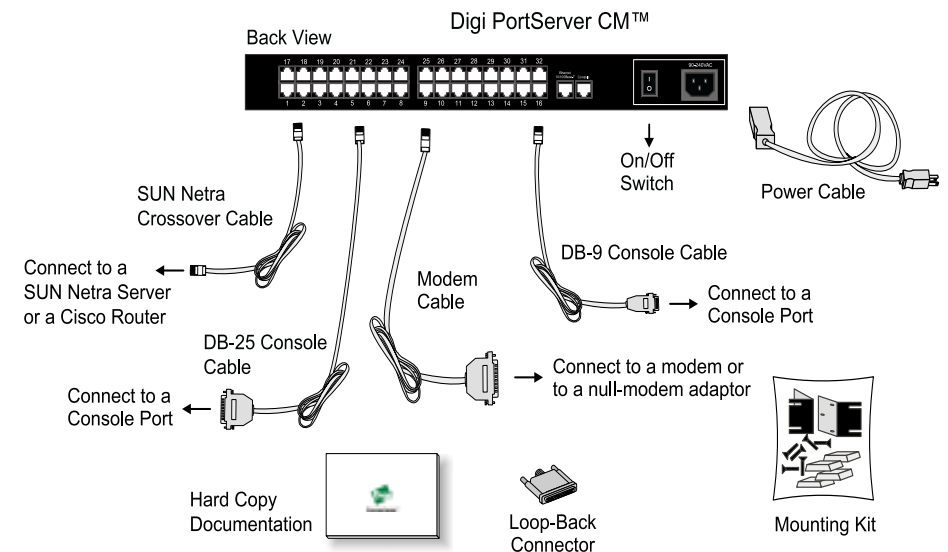
Connectware™

Introduction

The PortServer CM™ is a Linux based secure console access server, which gives it great flexibility. It runs an embedded version of the Linux operating system, therefore UNIX and Linux users will find the configuration process very familiar. On the other hand, users not familiar with UNIX will have a steeper learning curve, but it is not necessary to be a UNIX expert.

What's in the Box

Before you begin the installation and configuration procedure for the Digi device, you should have:



Copyright

The Digi logo and PortServer CM are registered trademarks of Digi International. All other brand and product names are trademarks of their respective holders.

© Digi International Inc., 2002

All Rights Reserved

Information in this document is subject to change without notice and does not represent a commitment on the part of Digi International.

Digi provides this document “as is”, without warranty of any kind, either expressed or implied, including, but not limited to, the implied warranties of fitness or merchantability for a particular purpose. Digi may make improvements and/or changes in this manual or in the product(s) and/or the program(s) described in this manual at any time.

This product could include technical inaccuracies or typographical errors. Changes are periodically made to the information herein; these changes may be incorporated in new editions of the publication.

Installing Digi PortServer CM

Use this procedure to physically install your terminal server on the network.

1. Connect the device to the Ethernet LAN. Use a Cat-V cable equipped with RJ-45 connectors. Connect one end of the cable to the network; plug the other end into the PortServer CM ETHERNET jack.
2. Connect the power supply cord or module between an AC outlet and the Power connector on the Digi device.
3. Connect a PC or terminal to the PortServer CM console port using the supplied console cable. If using a Windows PC, HyperTerminal can be used. Kermit can be used in the UNIX operating systems. The communication parameters should be configured as follows:
 - Serial speed: 9600
 - Data Length: 8 bits
 - Parity: None
 - Stop bits: 1
 - Flow Control: Hardware or none
 - Emulation: ansi (note: If your terminal does not offer ansi emulation, select vt100; then after logging in as root type "TERM=vt100; export TERM"
4. Power on PortServer CM unit. When the PortServer CM boots properly, a login banner will appear.
5. Log in as root; there is no password by default, this should be assigned as soon as possible.
6. Once logged in, information about your current network configuration will be displayed, similar to the following:

```
=====
NetConfig -- Basic Network Interface Configuration
Digi International, Inc.
=====
Current Configuration:
```

```
IP hostname
Domain name:
IP address:
IP netmask:
IP gateway:
Nameserver:
```

Do you wish to change the network configuration (Y/N)?

Once you answer "Y", you will be prompted for the following information

Do you want IP assignment to be handled by DHCP [currently disabled] (Y/N)?

Host name of unit:

Domain name of network:

IP address of unit:

IP netmask of unit:

IP address of network gateway (default route):

IP address of primary nameserver (for DNS):

7. Please fill out the basic networking configuration as appropriate for your network configuration. Once finished you will be prompted to save the information:

New Configuration:

IP hostname: (name)

Domain name: domain.com

IP address: 0.0.0.0

IP netmask: 0.0.0.0

IP gateway: 0.0.0.0

Nameserver: 0.0.0.0

Do you wish to keep the new configuration (Y/N)?

Answer 'Y' to save.

Do you wish the configuration to be made active now (Y/N)?

Answer 'Y' if you want to activate changes now.

Settings will not persist across unit resets unless saved to flash.

Do you wish to save this configuration to flash (Y/N)?

Answer 'Y' if you want the changes to be made permanent.

Note: This menu utility will only display once. To access this utility again, you must type 'netconfig' from the PortServer CM root prompt.

Test Network Connectivity

Using telnet from any other node on the network can test the network configuration. Simply telnet to the IP address assigned to the PortServer CM, you should receive a login banner confirming connectivity.

The unit is now ready to be configured for Console Server. You may use the web interface to configure for your specific needs by simply typing the PortServer CM IP address in your web browser's URL address field. For those who prefer a non-graphical interface, please refer to the PortServer CM Installation Manual.