



Connectware™

Digi One/PortServer TS 2/4

Configuration and Administration Guide

© Digi International Inc. 2002. All Rights Reserved

The Digi logo is a trademark of Digi International Inc. All other brand and product names are the trademarks of their respective holders.

Information in this document is subject to change without notice and does not represent a commitment on the part of Digi International.

Digi provides this document “as is,” without warranty of any kind, either expressed or implied, including, but not limited to, the implied warranties of fitness or merchantability for a particular purpose. Digi may make improvements and/or changes in this manual or in the product(s) and/or the program(s) described in this manual at any time.

This product could include technical inaccuracies or typographical errors. Changes are periodically made to the information herein; these changes may be incorporated in new editions of the publication.

Chapter 1 Introduction

In This Chapter	6
Setup Overview.....	6
About Entering Commands on the Command Line.....	7
Supported Devices	8
About This Guide.....	8
Other Documents in the Library	8
About Configuration Methods	9
Configuration Prerequisites	10

Chapter 2 Configuring the IP Address

In This Chapter	11
Options for Configuring the IP Address and Mask	11
Configuring the Ethernet Interface with Digi Port Authority-Remote	12
Configuring the IP Address Using ARP-Ping	13
Configuring the Ethernet Interface from the Command Line.....	13
Configuring an IP Address using DHCP and RARP	14

Chapter 3 Configuring Ports for RealPort

In This Chapter	15
About RealPort	15
Configuring Ports: Web Interface.....	16

Chapter 4 Configuring Ports for Printers

In This Chapter	17
Configuration Considerations	17
Configuring Ports for Printers: Web Interface.....	18
Configuring a Port for Direct-Access Printing	19

Chapter 5 Configuring Ports for Modems

In This Chapter	21
Tips on Configuring A Modem	21
Configuring Ports for Modems: Web Interface	22
Configuring Ports for Incoming Modem Connections: Command Line	22
Configuring Ports for Outgoing/Bi-Directional Connections: Command Line.....	23
Configuring A Hunt Group.....	24

Chapter 6 Configuring Ports for Terminals and Computers

In This Chapter	25
Configuring Ports for Terminals: Web Interface	25
Configuring Ports for Terminals: Command Line.....	25
About Computer Connections	27

Chapter 7 Configuring Autoconnection

In This Chapter	28
About Autoconnection.....	28

Configuring a Port for Autoconnection: Web Interface	29
Configuring Autoconnection By Port: Command Line	29
Configuring a User for Autoconnection: Web Interface.....	29
Configuring a User for Autoconnection: Command Line	30
Configuring TCP Socket Communication	30
Configuring UDP Multicast.....	32
Chapter 8 Configuring PPP	
In This Chapter	34
Configuring PPP Connections: Web Interface	34
Configuring Inbound PPP Connections: Command Line.....	36
Configuring Outbound PPP Connections: Command Line	37
Chapter 9 Modem Emulation	
In This Chapter	40
Modem Emulation (Digi One TS and PortServer TS 2/4 MEI only)	40
Common User Scenarios	41
Modem Emulation Cable Signals	42
Configuring the Device Server for Modem Emulation: Web Interface.....	42
Originating, Answering, and Disconnecting Calls	43
Modem Emulation AT Command Set	44
Chapter 10 Configuring Console Management	
In This Chapter	52
About Console Management	52
Configuring SSH.....	53
Accessing Attached Devices.....	54
Securing Console Access.....	55
Configuring Port Buffering.....	56
Configuring User Menus	56
Chapter 11 Configuring IP Routing	
In This Chapter	57
Configuring Static Routes.....	57
Configuring Dynamic Routes Using RIP	58
Configuring Proxy ARP.....	59
Chapter 12 Configuring the Digi Device for IA	
In This Chapter	61
Configuring Modbus.....	61
Configuring the User-Defined Protocol.....	62
Chapter 13 Configuring Security Features	
In This Chapter	63
Controlling Access to the Configuration	63
Controlling Access to Inbound Ports	64
Controlling Access to Outbound Ports	64
Controlling Access to the Command Line.....	65
Issuing User Passwords	65
Configuring SSH Version 2 for Secure Communication.....	66

Controlling Access to Services	67
Chapter 14 Configuring DNS	
In This Chapter	68
About the Domain Name System	68
Configuration Procedures	69
Chapter 15 Configuring SNMP	
In This Chapter	70
About SNMP and the Digi One/PortServer TS 2/4 Agent	70
Configuration Procedure: Web Interface	71
Chapter 16 Configuring Users	
In This Chapter	72
About Configuring Users	72
Common User Features	73
Configuring a User: Web Interface	73
Configuring a User: Command Line Examples	74
Chapter 17 Managing the OS and Configuration	
In This Chapter	75
Upgrading the Firmware	75
Copying the Configuration to and from a Remote Host	76
Resetting the Configuration to Defaults	78
Chapter 18 Configuration Examples	
In This Chapter	79
Terminal Server Configuration Without RealPort	80
Terminal Server Configuration Using Autoconnection	81
Terminal Server Configuration Using RealPort	82
Chapter 19 Digi One/PortServer TS 2/4 Troubleshooting	
In This Chapter	83
Symptom: Digi One/PortServer TS 2/4 Does Not Boot	84
Symptom: Cannot Telnet to the Digi One/PortServer TS 2/4	84
Symptom: Trouble Accessing a Port	85
Running Digi One/PortServer TS 2/4 Customer Diagnostics	85
Key to Interpreting Digi One/PortServer TS 2/4 LEDs	86
Verifying TFTP on a UNIX System	86
Troubleshooting TFTP Problems	87
Resetting Digi One/PortServer TS 2/4 Configuration to Defaults	88
Verifying the Digi One/PortServer TS 2/4 IP Address	88
Checking for Duplicate IP Addresses	89
Pinging an IP Address	89
Verifying the Network Cabling	89
Verifying the RealPort Process	90
Checking and Changing Port Configuration	92
Digi Contact Information	93

Chapter 1

Introduction

In This Chapter

The following topics are discussed in this chapter:

Setup Overview.....	6
About Entering Commands on the Command Line.....	7
Supported Devices	8
About This Guide.....	8
Other Documents in the Library	8
About Configuration Methods	9
Configuration Prerequisites	10

Setup Overview

This section provides an overview of the setup process.

Step A: Plan

Before beginning setup, consider the following:

- How to assign an IP address to the Digi device's Ethernet interface, which can be accomplished in a number of ways. See "Configuring the IP Address" on page 11.
- How to configure serial ports. A key consideration is whether to use RealPort. Other considerations include the type of peripheral that will connect to the port and the peripheral's cabling requirements. See "Configuring Ports for RealPort" on page 15 and the online RealPort driver documentation and Cable Guide, both of which are on the Access Resource CD.
- The various ways that your Digi device can be configured. See "About Configuration Methods" on page 9 and "Configuration Prerequisites" on page 10 for more information.

Step B: Set Up the Hardware

1. If the Digi device supports multiple serial port interfaces (EIA-232, EIA-422/485), set the interface with the dip switches on the device.

2. Connect the device to power and to the network.
3. Connect peripherals to serial ports. See the Cable Guide on the Access Resource CD.

Step C: Install and Setup Digi Port Authority-Remote

Digi Port Authority-Remote is a utility that provides one of the ways to configure an IP address and also provides port monitoring. See the *Digi Port Authority-Remote Device Monitor Setup Guide*, which is on the Access Resource CD.

Step D: Configure an IP Address

There are a number of ways to configure an IP address. See "Configuring the IP Address" on page 11 for more information.

Step E: Configure Ports

See the following for more information:

- "Configuring Ports for RealPort" on page 15
- "Configuring Ports for Printers" on page 17
- "Configuring Ports for Terminals and Computers" on page 25
- "Configuring Ports for Modems" on page 21

Step F: Configure Other Features as Required

See the following for information on setting up other features:

- "Configuring PPP" on page 34
- "Configuring IP Routing" on page 57
- "Configuring Autoconnection" on page 28
- "About Console Management" on page 52
- "Configuring Security Features" on page 63
- "Configuring DNS" on page 68

Step G: Troubleshoot Setup Problems

Troubleshoot problems as required. See "Digi One/PortServer TS 2/4 Troubleshooting" on page 83.

About Entering Commands on the Command Line

On the Digi One/PortServer TS 2/4 command line, do not force a line break (by pressing Enter or Return). This will commit the command before you finish adding all command fields. If your terminal does not support wrapping to the next line and long commands scroll out of sight, the easiest way to enter long commands is by breaking the command into multiple commands as shown below. If you use this method, however, you must let the Digi One/PortServer TS 2/4 know that you are configuring the same entity, such as the same port, menu, or line. This is done by repeating the range or name field in each command.

```
set menu t1="Console Management Menu" range=6
set menu range=6 name="Console Management Menu" m3="Connect to System 1" set
  menu range=6 c3="connect 1" m4="Connect to System 2"
set menu range=6 c4="connect 2"
```

Supported Devices

This manual provides information on the following Digi devices:

- Digi One RealPort
- Digi One IA RealPort
- PortServer TS 2
- PortServer TS 4

About This Guide

Purpose

This guide provides the following:

- Configuration and administration procedures
- Configuration examples

Audience

This manual is intended for the person responsible for configuring and administering Digi One/PortServer TS 2/4. It assumes that this person has experience configuring network devices and is familiar with networking concepts.

Scope

This manual provides step-by-step instructions for configuring and administering Digi One/PortServer TS 2/4's main features. It does not address how to configure every option, provide complete information on commands, or discuss hardware installation. These topics are covered in other documents in the Digi One/PortServer TS 2/4 library.

About Command Line Examples

In this manual, many command examples are broken up and placed on two lines of the manual. This is done to control where the line breaks, making it as easy to read as possible. When this is done, the second line of the command will be indented slightly, as shown below.

```
set menu range=6 t1="Console Management Menu" name="Console Management
  Menu" m3="Connect to System 1" c3="connect 1" m4="Connect to System 2"
  c4="connect 2"
```

Other Documents in the Library

Here is a list of the other documents in the library:

Access Resource CD Card

This card provides information on the contents of the Access Resource CD. It includes the CD mounting instructions required to access the CD on many Unix systems.

Digi One/PortServer TS 2/4 Setup Card

This card, which comes in the Digi One/PortServer TS 2/4 package, provides a brief overview on the setup process.

Digi One/PortServer TS Command Reference

This online manual, available on the Access Resource CD, provides complete information on commands.

RealPort Setup Guides

These online manuals provide information on setting up servers for RealPort software.

Digi Port Authority - Remote Device Monitor Setup Guide

This online manual provides information on installing and using Digi Port Authority - Remote software.

Online Help for the Web UI

This context-sensitive online help provides information on configuration fields used with web browser configuration interface.

About Configuration Methods

Use this section to learn about configuration methods.

Configuring the Digi One/PortServer TS 2/4 from an Attached Terminal

With this method, you cable a terminal or PC running terminal emulation software to a Digi One/PortServer TS 2/4 port and then use the command line to enter commands. This method allows you to configure all features. It requires, however, that you and the Digi One/PortServer TS 2/4 be in the same location. Some users find it advantageous to configure the Digi One/PortServer TS 2/4 IP address this way and then use one of the other methods for the rest of the configuration.

Configuring the Digi One/PortServer TS 2/4 from a Telnet Session

With this method, you Telnet to the Digi One/PortServer TS 2/4 and use the command line to complete configuration tasks. The only disadvantage to this method is that you have to configure the Digi One/PortServer TS 2/4 with an IP address before you can Telnet to it.

Configuring the Digi One/PortServer TS 2/4 from the Web Interface

The great advantage to this method is ease of use. This method does, however, require that you configure the IP address before you can access the configuration from the web interface, and some features cannot be configured this way.

Downloading a Configuration File

With this method, you configure a Digi device and then do the following:

1. Download an existing configuration file to a host system.
2. Edit the file with specific configuration using a text editor.
3. Upload the file to the Digi One/PortServer TS 2/4.

This an excellent method for maintaining highly similar configuration files for multiple Digi devices. The disadvantage is that the Digi One/PortServer TS 2/4 requires some configuration steps, such as the IP address, to be completed before it can be used.

Configuration Prerequisites

Accessing the Command Line from a Locally-Connected Terminal

Use this procedure to access the command line and the configuration from a terminal connected to one of the Digi One/PortServer TS 2/4's serial ports.

1. Connect a terminal or PC to a serial port on the Digi One/PortServer TS 2/4. For a Windows HyperTerminal connection, use the cable that came in the package.
2. Configure the parameters of the terminal or terminal emulation software to work with the Digi serial port. The default port settings are:
 - VT 100 emulation
 - 9600 baud
 - 8-bit character
 - 1 stop bit
 - No parity
3. Log in as the root user. The default password is dbps.

Logging On As Root from the Command Line

1. At the login prompt, enter the following: `root`
2. At the password prompt, supply the root password. The default is dbps.

Accessing the Command Line from a Telnet Session

Use this procedure to access the command line and the configuration from a Telnet session. This procedure assumes that you have configured the Digi device with an IP address already. See "Configuring the IP Address" on page 11.

1. To Telnet to the Digi One/PortServer TS 2/4, enter the following command from a command prompt on another networked device, such as a server:

```
telnet ip-address
```

where *ip-address* is the Digi One/PortServer TS 2/4's IP address

Example: `telnet 192.3.23.5`

2. Log in as the root user. The default password is dbps.

Accessing the Configuration from the Web Interface

Use this procedure to access the configuration from the web interface. This procedure assumes that you have configured the Digi device with an IP address already. See "Configuring the IP Address" on page 11.

1. Access the Digi One/PortServer TS 2/4 from a web browser by specifying the Digi One/PortServer TS 2/4's IP address in the URL window.
2. Log on as root. The default password is dbps.

Chapter 2

Configuring the IP Address

In This Chapter

This chapter discusses how to configure the Digi One/PortServer TS 2/4's IP address and other features associated with its Ethernet interface. It discusses the following topics:

Options for Configuring the IP Address and Mask	11
Configuring the Ethernet Interface with Digi Port Authority-Remote	12
Configuring the IP Address Using ARP-Ping	13
Configuring the Ethernet Interface from the Command Line.....	13
Configuring an IP Address using DHCP and RARP	14

Options for Configuring the IP Address and Mask

Options

The Digi One/PortServer TS 2/4 IP address can be configured using the following methods:

- With Digi Port Authority-Remote, a Digi utility
- By updating the ARP table on a server and then pinging the Digi device (called ARP-Ping)
- From the command line using the set config command
- Using a RARP server
- Using a DHCP server

The IP address and mask can also be changed using the web interface. This method, however, does not work for the initial IP address configuration.

Device Support: Digi Port Authority-Remote and ARP-Ping for IP Address Configuration

Not all Digi devices can use Digi Port Authority-Remote and ARP-Ping for IP address configuration. To determine if you can use these features, find the hardware label on your Digi device and then use the table below to determine whether this feature is available:

Device	Part Number	Revision Required
Digi One IA RealPort	50000764-01	F or higher
Digi One RealPort	50000723-01	J or higher
PortServer TS 2	50000723-02	J or higher
PortServer TS 4	50000723-03	G or higher

Configuring the Ethernet Interface with Digi Port Authority-Remote

Use this section to configure an initial IP address, subnet mask, and default gateway using Digi Port Authority-Remote. This procedure cannot be used to change the IP address, but only to assign the initial IP address. It also cannot be used if a DHCP server is active.

Starting Point

This procedure assumes the following:

- That your Digi device supports this feature. See "Device Support: Digi Port Authority-Remote and ARP-Ping for IP Address Configuration" on page 12.
- That your Digi device is connected to the Ethernet network
- That the Digi device has DHCP client turned on. This is the default setting, so it will be on unless it was turned off.
- That you do **not** have a DHCP server to serve IP address. If you do, use the DHCP procedure. See "Configuring an IP Address using DHCP and RARP" on page 14.
- That you have installed Digi Port Authority-Remote version 2.01.11 or later. For information on installing Digi Port Authority-Remote, see the *Digi Port Authority Remote Device Monitor Setup Guide*, which is on the Access Resource CD.

Procedure

1. Run Digi Port Authority-Remote.
2. If Digi Port Authority-Remote is not set for ADDP, choose ADDP as the Discovery Protocol.
3. Choose Discover.
A list of Digi devices appears. Systems with IP addresses of 0.0.0.0 need IP addresses.
4. Select a device from the list and then choose Configure.
5. Supply an IP address, subnet mask and default gateway and then choose OK.
Digi Port Authority-Remote configures the IP address, subnet mask and default gateway.

Configuring the IP Address Using ARP-Ping

Use this section to configure an IP address by manually updating a server's ARP table and then pinging the Digi device.

Note: The ARP-Ping command assigns the IP address you designate, but also assigns default subnet mask and gateway addresses. It is necessary to change the subnet mask and gateway addresses.

Starting Point

This procedure assumes the following:

- That your Digi device supports this feature. See "Device Support: Digi Port Authority-Remote and ARP-Ping for IP Address Configuration" on page 12.
- That your Digi device is connected to the Ethernet network

Procedure

1. Record the MAC address of the Digi device. It's on the back of the unit.
2. Access a server on the same subnet as the Digi device.
3. Manually update the server's ARP table using the Digi device's MAC address and the IP address you want assigned to the Digi device. The following is an example of how this is done on a Windows NT 4.0 system:

```
arp -s 143.191.2.1 00-00-9d-22-23-60
```
4. Ping the Digi device using the IP address just assigned. The following is an example:

```
ping 143.191.2.1
```

The ping will probably time out before there is a response from the Digi device.
5. Wait a few seconds and then ping the Digi device again.
The Digi device replies to the ping, indicating that the IP address has been configured.

Configuring the Ethernet Interface from the Command Line

This section discusses how use the command line to configure an IP address, mask, and default gateway for Digi One/PortServer TS 2/4's Ethernet interface.

Manual Configuration Procedure

1. To ensure that the IP address you configure is permanent, turn DHCP off by entering the following command:

```
set config dhcp=off
```
2. To configure an IP address for the Ethernet interface, enter the following command:

```
set config ip=ip-address
```

where *ip-address* is the IP address for the Ethernet interface

Example

```
set config ip=191.143.2.154
```

3. To configure a subnetmask, enter the following command:

```
set config submask=mask
```

where *mask* is the subnet mask for this subnetwork

Example

```
set config submask=255.255.255.0
```

4. To configure a default gateway, enter the following command:

```
set config gateway=ip-address
```

where *ip-address* is the IP address of the default gateway

Example

```
set config gateway=191.143.2.46
```

5. Reboot the Digi device at the prompt using the following command:

```
boot action=reset
```

Manual Configuration Example

In this example set config commands configure the Ethernet interface and the boot command reboot the Digi device, which is required for the address change to take affect.

```
set config ip=192.150.150.10 submask=255.255.255.0 dhcp=off
```

```
set config gateway=192.150.150.11
```

```
boot action=reset
```

Configuring an IP Address using DHCP and RARP

About DHCP and RARP

When the Digi One/PortServer TS 2/4 boots, it transmits a DHCP request and a RARP request. This continues until an address is assigned.

Procedure

To use RARP or DHCP follow these steps:

1. Set up an entry for an address on a DHCP or RARP server. If you intend to use RealPort, do the following:
 - Reserve a permanent IP address.
 - Record the IP address. You will need it when you configure the RealPort driver.
2. Power on the Digi One/PortServer TS 2/4.

The DHCP or RARP server assigns the Digi One/PortServer TS 2/4 an IP address.

In This Chapter

This chapter describes how to configure the Digi One/PortServer TS 2/4 for RealPort connections. It discusses the following topics:

About RealPort	15
Configuring Ports: Web Interface.....	16

About RealPort

This section provides a brief introduction to RealPort.

What is RealPort?

RealPort is a feature that allows network-based host systems to use the ports of the Digi One/PortServer TS 2/4 as though they were the host system's own ports, appearing and behaving as local ports to the network-based host.

RealPort Advantages

RealPort provides the following advantages:

- It expands the number of ports available to the host system.
- It enables Digi One/PortServer TS 2/4 ports to be treated as if they were directly connected to the host, which means they use all standard operating system interfaces that control baud rate, parity, stop bits, and flow control.
- It enables host administrators to do most of the required configuration on the host, the system with which the administrator is most familiar.
- It dramatically reduces host CPU overhead because multiple terminal or printer sessions are multiplexed over the same TCP/IP connection.

Configuring the RealPort Software

You must install and configure RealPort software on each host that will use RealPort ports. See the RealPort

documentation for more information.

Configuration Options

You can configure Digi One/PortServer TS 2/4 for RealPort from the command line or using the web interface. For information on using the web interface, see "Configuring Ports: Web Interface" on page 16.

Configuring Ports: Web Interface

Use this procedure to configure a port from the web interface.

1. Access the web interface by entering the Digi One/PortServer TS 2/4 IP address in a browser's URL window.
2. Log in to the Digi One/PortServer TS 2/4 as root.

The default password is dbps.

3. From the main menu, select Configure > RealPort.

A screen similar to the following appears.

Digi **RealPort**
Connectware™

Information RealPort configuration introduction.
Configure
Ports The following pages will help you configure a port
RealPort or ports on this PortServer TS 16 for use with the
Users Digi RealPort driver. This will overwrite any settings
Menus you might have changed on any ports you decide to
DHCP configure. You will also need to configure the
Network RealPort driver on the server you wish to use with
Port Buffering this unit.
PPP
RADIUS
SNMP
Console Mgmt
AutoConnect
Time
Report
Admin
Help
Logout

4. To complete configuration, choose Next and then follow the prompts.
5. To return to the main Ports menu, choose Ports from the Menu again.
6. To complete RealPort setup, install and configure the RealPort driver. See the appropriate RealPort setup guide on the Access Resource CD.

Chapter 4

Configuring Ports for Printers

In This Chapter

This chapter describes how to configure Digi One/PortServer TS 2/4 ports for printer connections. It discusses the following topics:

Configuration Considerations	17
Configuring Ports for Printers: Web Interface.....	18
Configuring a Port for Direct-Access Printing	19

Configuration Considerations

You should be aware of the following considerations if you intend to configure Digi One/PortServer TS 2/4 to handle printers.

Using RealPort

RealPort, a feature that allows network-based host systems to use the ports of the Digi One/PortServer TS 2/4 as though they were the host system's own ports, is an easy and efficient way for printers to use Digi One/PortServer TS 2/4 ports. For information on this option, see "Configuring Ports: Web Interface" on page 16.

Determining Your Printer's Flow Control Requirements

If you set the Digi One/PortServer TS 2/4 flow control parameters incorrectly, the printer may not print all data sent to it. Hardware flow control should only be used in environments with a lot of electronic interference, such as a machine shop or where a printer cable exceeds a range of 75 feet. Software flow control is used in most normal printing situations.

Flow Control Tips

Here are some tips to ensure that your printer performs as expected:

- If flow control is necessary, ensure that the printer and Digi One/PortServer TS 2/4 use the same flow control scheme.
- Some printers that use hardware flow control issue the DTR (data terminal ready) signal when they are ready for data. If so, the DTR pin on the cable from the printer must be wired to an input on the Digi One/PortServer

TS 2/4 port (usually CTS) that can be used for flow control.

Printing with AIX Systems

Some users experience problems properly configuring AIX remote print spoolers used with the Digi One/PortServer TS devices. A third-party printer spooler called TCPrint resolves those issues. You can locate this utility either by doing a search on the Internet or searching the Digi website using the keyword TCPrint.

Using the lpd Protocol

Here are some tips for configuring the print spooler on your UNIX system when you intend to print using the lpd protocol to a printer attached to Digi One/PortServer TS 2/4:

1. The number of copies option with lpr is not supported.
2. Banner pages are not supported.
3. Give the Digi One/PortServer TS 2/4's DNS name or IP address as the remote system's name.
4. Specify a queue name that conforms to the following conventions:
 - Begin the queue name with one of the following character strings: (a) Use `ascii` if you want Digi One/PortServer TS 2/4 to substitute carriage return and line feed characters for each line feed the system sends. (b) Use `raw` if no substitution should be performed.
 - After the queue name, insert an underscore character and the number of the Digi One/PortServer TS 2/4 port to which the printer is attached.
 - If you want to use either of the following options, specify an additional underscore and then the letter that identifies the option: (a) Use `f` to append a form feed character to the end of each file in a print job (b) Use `d` to add a Ctrl-d to the end of each file in a print job. (This is often required by PostScript printers.)

Examples

String	Result
<code>ascii_1</code>	Prints to port 1 and translates CR to CR/LF.
<code>ascii_8_f</code>	Prints to port 8, translates CR to CR/LF and prints a form feed at the end of the job.
<code>raw_1_d</code>	Prints to port 1 with no translation and appends a Ctrl-d to the end of the print job.

Configuring Ports for Printers: Web Interface

Use this procedure to configure a port from the web interface.

1. Access the web interface by entering the Digi One/PortServer TS 2/4 IP address in a browser's URL window.
2. Log in to the Digi One/PortServer TS 2/4 as root.

The default password is `dbps`.

3. From the main menu, choose `Configure > Ports`.
4. To configure a port, do the following:
 - a. Choose the port from the port column.
 - b. Ensure that the Device Type is Printer.
 - c. Make other changes to the configuration as required. Use the online help for information.
 - d. If you want to apply this configuration to multiple ports, choose `Clone`, select the ports for this configuration, and then choose `Continue`.
 - e. Choose `Submit`.
5. To return to the main Ports menu, choose `Ports` from the menu again.

Tips for telnet and rsh Printing

Here are some tips for handling telnet and rsh printing:

- If line feed and carriage return problems occur, try supplying a set line command that specifies `onlcr=on`. This converts carriage returns to carriage return/line feeds.
- If you want tab characters (ASCII character 9) converted to 8 spaces, use a set line command that specifies `otab=on`.

Configuring a Port for Direct-Access Printing

Direct access printing allows Telnet users on the LAN to access a port and to issue print commands directly to the printer. This section describes the two ways users can access a printer directly and explains how to configure the port to support each method.

Method 1: Specifying Port Numbers in the Telnet Command

This method allows users to issue telnet commands that identify the correct port by using TCP port numbers. Users identify the type of connection and port number by specifying one of the following:

For this connection type...	Identify the port by specifying...
Telnet	2000 plus the number of the port. Example: 2002 for port 2.
Raw	2100 plus the number of the port. Example: 2102 for port 2.

User Command Example 1

In this example, a user, from the host server, specifies a standard telnet connection on port 2 of a Digi One/PortServer TS 2/4 using IP address 199.250.38.15.

```
cat myfile | telnet 199.250.38.15 2002
```

User Command Example 2

In this example, a user, from the host server, specifies a raw telnet connection on port 2 of a Digi One/PortServer TS 2/4 using IP address 199.250.38.15.

```
cat myfile | telnet 199.250.38.15 2102
```

Method 1 Configuration

There is no special configuration required to set up a port for this type of direct access. Simply configure the port for a printer. See "Configuring a Port for Direct-Access Printing" on page 19 for more information.

Method 2: Using Alternate IP Addresses

This method provides similar functions to method 1, except it assigns an IP address to a port.

Method 2 Configuration

To configure an alternate IP address, do the following:

- Configure the port for a printer. See *Configuring a Port for Direct-Access Printing* on page 19 for more information.

- Supply a set altip command that specifies the following:

```
set altip group=port-number ip=ip-address
```

where

— *port-number* is the actual port number of a Digi One/PortServer TS 2/4 port

— *ip-address* is the unique IP address of a port on the Digi One/PortServer TS 2/4

Command Line Example

```
set ports range=2 dev=prn
```

```
set line range=2 baud=9600 csize=8 stopb=1 parity=n
```

```
set flow range=2 cts=on rts=on ixon=off ixoff=off
```

```
set altip group=2 ip=199.250.38.17
```

The following example displays a file on port 2 of a PortServer whose unique IP address is 199.250.38.17:

```
cat myfile | telnet 199.250.38.17
```

In This Chapter

This chapter describes how to configure Digi One/PortServer TS 2/4 ports for modem connections. It discusses the following topics:

Tips on Configuring A Modem	21
Configuring Ports for Modems: Web Interface	22
Configuring Ports for Incoming Modem Connections: Command Line	22
Configuring Ports for Outgoing/Bi-Directional Connections: Command Line.....	23
Configuring A Hunt Group.....	24

Tips on Configuring A Modem

Here are some tips on configuring modems to work with Digi One/PortServer TS 2/4:

- Configure the modem so that DCD goes high when it receives an incoming connection request.
- Configure the modem to answer an incoming call only when DTR is high, and to drop the line when DTR goes low.
- For bidirectional connections, it is advisable to configure the non-volatile parameters in the modem for incoming calls. Also configure the modem to reset to these parameters when DTR is dropped.
- Configure the modem to lock the serial line speed at the highest baud rate the modem will accept for reliable data transfer because Digi One/PortServer TS 2/4 cannot switch the baud rate of the serial line on a per call basis without reconfiguration.

Note: You may want to consider connecting modems using RealPort, a feature that allows network-based host systems to use the ports of the Digi One/PortServer TS 2/4 as though they were the host system's own ports. It is an easy and efficient way for modems to use Digi One/PortServer TS 2/4 ports. For information on this option, see "Configuring Ports for RealPort" on page 15.

Configuring Ports for Modems: Web Interface

Use this procedure to configure a port for a modem from the web interface.

1. Access the web interface by entering the Digi One/PortServer TS 2/4 IP address in a browser's URL window.
2. Log in to the Digi One/PortServer TS 2/4 as root.

The default password is dbps.

3. From the main menu, choose Configure > Ports.
4. To configure a port, do the following:
 - a. Choose the port from the port column.
 - b. Configure the correct device type. Choose Modem in for inbound modem connections, Modem out for out-bound connections, and Modem for bidirectional connections.
 - c. Make other changes to the configuration as required. Use the online help for information.
 - d. If you want to apply this configuration to multiple ports, choose Clone, select the ports for this configuration, and then choose Continue.
 - e. Choose Submit.
5. To return to the main Ports menu, choose Ports from the menu again.

Configuring Ports for Incoming Modem Connections: Command Line

This section describes how to configure incoming-only modem connections, that is, connections that are initiated by a device across the telephone network.

Related Information

- If you intend to run PPP traffic over this modem connection, see "Configuring PPP" on page 34.
- For more information on setting the port's flow control attributes see the set flow command in the *Digi One/PortServer TS Command Reference*.
- For information on setting up the port for autoconnection, see "Configuring Autoconnection" on page 28 of this manual and the set ports command in the *Digi One/PortServer TS Command Reference*.
- For information on setting serial line operating parameters such as character size, the number of stop bits, and parity, see the set line command in the *Digi One/PortServer TS Command Reference*.

Procedure

This procedure assumes that you

- Know the operating parameters required by the modem. If you do not, see the modem documentation.
- Have or will correctly cable the connection between the Digi One/PortServer TS 2/4 serial ports and modems. See the *Digi One/PortServer Cable Guide* for more information.
- Have logged in as root

1. Supply a set ports command that specifies the following:

```
set ports range=range dev=min
```

where *range* is a Digi One/PortServer TS 2/4 port or range of ports.

Example: `set ports range=2 dev=min`

2. Supply a set line command that specifies the following:

```
set line range=range baud=speed
```

where *range* is a port or range of ports and *bps* is the line speed for this port.

```
Example: set line range=2 baud=115200
```

3. Supply a set flow command that defines the flow control scheme required by the modem.

Example

In this example, ports 1 and 2 are set up for incoming modem connections using RTS/CTS flow control.

```
set ports range=1-2 dev=min
set line range=1-2 baud=115200
set flow range=1-2 ixon=off ixoff=off cts=on rts=on
```

Configuring Ports for Outgoing/Bi-Directional Connections: Command Line

This section describes how to configure outgoing and bidirectional modem connections from the command line.

Related Information

- For more information on setting the port's flow control attributes see the set flow command in the *Digi One/PortServer TS Command Reference*.
- For information on setting serial line operating parameters such as character size, the number of stop bits, and parity, see the set line command in the *Digi One/PortServer TS Command Reference*.
- For more information on configuring dialer and login scripts, see the set script command in the *Digi One/PortServer TS Command Reference*.

Before You Begin

This procedure assumes that you

- Know the operating parameters required by the modem. If you do not, see the modem documentation.
- Have or will correctly cable the connection between the Digi One/PortServer TS 2/4 serial ports and modems. See the *Digi One/PortServer Cable Guide* for more information.
- Logged in as root

Procedure

1. Supply a set ports command that specifies the following:

```
set ports range=range dev=dev
```

where *range* is a serial port or range of serial ports and *dev* is one of the following:

- dev=mout for outgoing-only connections
- dev=mio for bidirectional connections

Note: Use a group number (on the group field), if you intend to create a hunt group of ports that can access a pool of modems. Make sure this group number is greater than 65.

Example

```
set ports range=2 dev=mio
```

2. Supply a set line command that specifies the following:

```
set line range=range baud=bps
```

where *range* is a serial port or range of ports and *bps* is the line speed of the connection

Example

```
set line range=2 baud=115200
```

3. Supply a set flow command that defines the flow control scheme required by the modem.

Example

In this example, ports 1 and 2 are configured for bidirectional modems.

```
set ports range=1-2 dev=mio
```

```
set line range=1-2 baud=115200
```

```
set flow range=1-2 ixon=off ixoff=off rts=on cts=on
```

Configuring A Hunt Group

A hunt group is a group of ports sharing one common IP address and differs from altip where one port has its own unique IP address. A hunt group is desirable when you have many ports, but do not have the available IP addresses or simply prefer to use one IP address for a group of ports. When a user telnets into the hunt group's IP address and the first port is busy, the user is seamlessly bumped to the next available port.

In configuring the PortServer for a hunt group, the port numbering must start higher than the total number of PortServer serial ports available.

To configure a group of ports for a hunt group, do the following:

1. Enter the following command to create the hunt group:

```
set ports range=range group=port_number
```

2. Enter the following command to set the IP address for the hunt group:

```
set altip group=port_number ipaddress
```

Command Line Examples

The following example displays the configuration for 16 serial ports in a hunt group with their collective IP address being 199.250.38.37.

```
set ports range=1-16 group=65
```

```
set altip group=65 ip=199.250.38.37
```

A user who telnets to this IP address is automatically connected to the first available hunt group port.

In This Chapter

This chapter describes how to configure Digi One/PortServer TS 2/4 ports for terminal and computer connections. It discusses the following topics:

Configuring Ports for Terminals: Web Interface	25
Configuring Ports for Terminals: Command Line.....	26
About Computer Connections	27

Configuring Ports for Terminals: Web Interface

Use this procedure to configure a port from the web interface.

1. Access the web interface by entering the Digi One/PortServer TS 2/4 IP address in a browser's URL window.
2. Log in to the Digi One/PortServer TS 2/4 as root.

The default password is dbps.

3. From the main menu, choose **Configure > Ports**.
4. To configure a port, do the following:
 - a. Choose the port from the port column.
 - b. Ensure that the Device type is set to Terminal.
 - c. Make changes to the configuration as required. Use the online help for information.
 - d. If you want to apply this configuration to multiple ports, choose **Clone**, select the ports for this configuration, and then choose **Continue**.
 - e. Choose **Submit**.
5. To return to the main Ports menu, choose **Ports** from the Menu again.

Configuring Ports for Terminals: Command Line

This section describes how to configure Digi One/PortServer TS 2/4 ports for terminal connections.

Port Defaults

Here is the default configuration for Digi One/PortServer TS 2/4 ports:

- VT-100 emulation
- 9600 baud
- 8-bit characters
- 1 stop bit
- No parity
- Software flow control

Related Information

- For information on the set line, set ports, and set flow commands, see the *Digi One/PortServer TS Command Reference*.
- For information on configuring terminal ports for autoconnections, see, "Configuring Autoconnection" on page 28.

Procedure

This procedure assumes the following:

- That you are logged in as root
- That you know the attributes, such as baud rate and parity, of the terminal that will be connected to this port

1. Supply a set ports command that specifies the following:

```
set ports range=range dev=term sess=num-of-sess
```

where *range* is a port or range of ports and *num-of-sess* is the number of simultaneous sessions the port user can maintain

2. Supply a set line command that specifies the following:

```
set line range=range baud=bps csize=characters parity=parity stopb=num-  
bits
```

Note: The set line settings must match the settings of the attached terminal or device.

where

- *range* is a port or range of ports
 - *bps* is the line speed
 - *characters* is the character size
 - *parity* is the parity scheme to use on this line
 - *num-bits* is the number of stop bits to use
3. If your terminal is configured for hardware flow control, supply a set flow command that specifies the following (software flow control is the default, so a set flow command is not required in that case):

```
set flow range=range ixoff=off ixon=off cts=on rts=on
```

to return the configuration to software flow control, use the command:

```
set flow range=range ixoff=on ixon=on cts=off rts=off
```

where *range* is a port or range of ports

Note: You may need to use additional set flow command fields, depending on the flow control scheme required by your terminal. See the set flow command in the *Digi One/PortServer TS Command Reference* for more information.

Example

In this example, port 1 and 2 are configured for connection to terminals using hardware flow control. The connection uses default for character size (8 bits), parity (no parity), and stop bits (1).

```
set ports range=1-2 sess=3 dev=term termttype=wy60
set line range=1-2 baud=19200
set flow range=1-2 ixon=off ixoff=off rts=on cts=on
```

About Computer Connections

Configuring computer connections is very similar to configuring terminal connections, which is discussed on page 25. Consequently, this section simply discusses the differences between these connection types.

Starting Point

This section assumes that

- You are logged in as root
- You know the attributes, such as baud rate and parity, of the PC that will be connected to this port

Configuring Typical PC Connections

To configure a port for a directly-connected PC, where the PC always initiates the connection, configure the connection as you would a terminal connection, except on the set ports command do the following:

- Specify dev=min if you have a 10-pin null modem cable to support this type of connection.
- Specify dev=term if you do not have a 10-pin null modem cable

Consider defining the serial connection as a PPP link. See "Configuring PPP" on page 34 for more information.

In This Chapter

This Chapter discusses how to configure the autoconnection feature. It covers the following topics:

About Autoconnection	28
Configuring a Port for Autoconnection: Web Interface	29
Configuring Autoconnection By Port: Command Line	29
Configuring a User for Autoconnection: Web Interface.....	29
Configuring a User for Autoconnection: Command Line	30
Configuring TCP Socket Communication	30
Configuring UDP Multicast.....	32

About Autoconnection

The autoconnection feature allows you to configure a user to access the Digi One/PortServer TS 2/4 and then be automatically connected to a host on the LAN. You can implement autoconnection in the following ways:

- By port. In this case, all port users are automatically connected to the same host. The Digi One/PortServer TS 2/4 is completely transparent to them.
- By user. In this case, a user is required to login and may be required to supply a password, but once the user is authenticated, an automatic connection to a host is made.

Configuring a Port for Autoconnection: Web Interface

This section describes how to configure a port for autoconnection from the web interface.

1. Access the web interface by entering the Digi One/PortServer TS 2/4 IP address in a browser's URL window.
2. Log in to the Digi One/PortServer TS 2/4 as root.

The default password is dbps.

3. Select Configure and then Autoconnect from the menu.
4. Configure the port as required. Use the online help for more information.
5. To return to the main Ports menu, choose Ports from the Menu again.

Configuring Autoconnection By Port: Command Line

This section describes how to configure a port for autoconnection from the command line.

Procedure

This procedure describes how to set up a port for autoconnection only. It assumes that you have or will configure the port appropriately for a modem connection (see Chapter 5) or terminal connection (see Chapter 6).

To configure a port to provide automatic connections for all port users, supply a set ports command that specifies the following:

```
set ports range=range auto=on dest=ip-address dport=tcp=port
```

where

- *range* is a port or range of ports
- *ip-address* is the IP address of the host to which the autoconnection should be made
- *tcp-port* is a TCP port to use for this connection

Example

In this example, port 2 is configured for automatic Telnet connections to a host.

```
set ports range=2 auto=on dest=199.125.123.10 dev=min dport=23
```

Configuring a User for Autoconnection: Web Interface

1. Access the web interface by entering the Digi One/PortServer TS 2/4 IP address in a browser's URL window.
2. Log in to the Digi One/PortServer TS 2/4 as root.

The default password is dbps.

3. Select Configure and then Users from the menu.
4. To add an autoconnect user, do the following:
 - a. Choose Add User.
 - b. Enter a name and then choose Submit
 - c. Choose the new user from the Name column.
 - d. Configure the user. Be sure to specify the following: (1) Default Access: Autoconnect (2) Enable Autoconnect (3) The IP address that will be the destination for the autoconnect user (4) A Destination TCP port number, which determines the type of connection for this user (such as 23 for Telnet).
 - e. Choose Submit.
5. To return to the main User menu, choose User from the Menu again.

Configuring a User for Autoconnection: Command Line

This section describes how to configure a user for autoconnection.

Procedure

This procedure deals with autoconnection features only. It assumes that you have or will configure

- The port for modem connections (see Chapter 5) or terminal connections (see Chapter 6)
- Other user attributes (see the set user command in the *Digi One/PortServer TS Command Reference*)

To configure a user to automatically connect to a host, supply a set user command that specifies the following:

```
set user name=user-name ports=ports autoconnect=on autohost=ip-address
  autoport=tcp-port defaultaccess=autoconnect outgoing=on
```

where

- *user-name* is the name of the user
- *ports* is the ports this user can use
- *ip-address* is the IP address of the host to which the user will be connected
- *tcp-port* is the TCP port to use for connections

Note: Outgoing must be on for a user to use autoconnection

Example

In this example, a user is configured for autoconnection using telnet to the host specified. Because the password field is not specified, the default (password=on) requires that the user supply a password before the connection is made.

```
set user name=user4 autoconnect=on autohost=199.193.150.10 autoport=23
  defaultaccess=autoconnect outgoing=on
```

Configuring TCP Socket Communication

TCP socket communication enables serial devices to communicate with each other over an Ethernet network as though they were connected by a serial cable.

This section describes how to use the web interface to configure this Digi device for the following:

- Inbound connections, that is, connections that are initiated by the device on the other side of the network
- Outbound connection, that is, connections that are initiated by the device connected to the serial port

Procedure for Configuring Inbound Socket Communication

1. Access the web interface by entering the Digi One/PortServer TS 2/4 IP address in a browser's URL window.
2. Log in to the Digi One/PortServer TS 2/4 as `root`. The default password is `dbps`.
3. From the main menu, choose `Configure > Port`.
4. From the Port configuration screen, set the Device type to `Printer`, adjust other serial port communication parameters as required by the connected device, and then choose `Submit`.
5. Choose `Advanced`, check `Binary Mode` and then choose `Submit`.

Procedure for Configuring Outbound Socket Communication

1. Access the web interface by entering the Digi One/PortServer TS 2/4 IP address in a browser's URL window.
2. Log in to the Digi One/PortServer TS 2/4 as `root`. The default password is `dbps`.

3. From the main menu, choose Configure > Port.
4. From the Port configuration screen, set the Device type to Modem In, adjust other serial port communication parameters as required by the connected device, then choose Submit.

Note: The Terminal type field does not matter.

5. To configure the port to launch an automatic connection, do the following:
 - a. Choose Advanced.
 - b. Choose Enable Autoconnect
 - c. Specify the IP address of the slave.
 - d. Specify a TCP port to use for this connection. If this is a connection to a serial port on another Digi device and you have not changed the base socket service, use the following conventions to specify a TCP port number:

For This Type of Connection...	Specify ...	Example
Telnet	2000 + port number	To specify port 1, use 2001
Raw connection	2100 + port number	To specify port 2, use 2102

- e. If you want the autoconnection to launch immediately, choose Force DCD.
- f. Choose Binary Mode.
- g. When you complete the configuration process, choose Submit.

Configuring UDP Multicast

The Digi One and PortServer TS devices are devices capable of UDP multicast. UDP multicast is used to send serial data over an Ethernet cable to one or many hosts at the same time. UDP is a connectionless protocol, meaning UDP does not need a protocol, but is sending data without any form of acknowledgement or error correction. Up to 64 devices can receive a UDP multicast at one time. Both the transmitting and receiving devices must be configured properly for UDP multicast to work.

This section describes how to use the web interface to configure this Digi device for the following:

- Inbound connections, that is, connections that are initiated by the device on the other side of the network
- Outbound connection, that is, connections that are initiated by the device connected to the serial port

Procedure for Configuring Outbound Socket Communication

1. Access the web interface by entering the Digi One/PortServer TS 2/4 IP address in a browser's URL window.
2. Log in to the Digi One/PortServer TS as `root`. The default password is `dbps`.
3. From the main menu, choose `Configure > Port`.
4. From the Port configuration screen, set the Device type to `Printer`, adjust other serial port communication parameters as required by the connected device, and then choose `Advanced`.

Note: The serial parameters for two connecting devices must match meaning if one device is set for 9600 bps, the other device must be set for the same rate.

5. Choose `UDP serial...` at the bottom of the page. The UDP Serial Configuration page is displayed.

Delimiting string configuration

Forward buffer when the following string is found

- CR (carriage return)
- CR/LF (carriage return/line feed)
- Custom string

Strip string before forwarding

Timer/idle delay settings

Forward buffer after the following number of milliseconds

ms (1-60000)

- System default
- Disabled

Buffer settings

Forward buffer after the following number of bytes

bytes (1-4k)

- System default

Destination list:

Description	IP Address	UDP Port
<input type="button" value="Add destination"/> <input type="button" value="Submit"/> <input type="button" value="Help"/>		

6. Fill in the requested information and choose Add destination at the bottom of the page. See the Help section for additional information on the settings.
7. Scroll to the bottom of the page. Under Description, choose updstest1.
8. Enter the requested information and choose Submit.
You can change the Description as desired. The IP address is the destination device server's address and the UDP port uses a base socket number of 2100 for UDP. The first port would be port number 2101.
9. Repeat these steps until you have added the necessary destinations.

Procedure for Configuring Inbound Socket Communication

1. Access the web interface by entering the Digi One/PortServer TS IP address in a browser's URL window.
2. Log in to the Digi One/PortServer TS as `root`. The default password is `dbps`.
3. From the main menu, choose Configure > Port.
4. From the Port configuration screen, set the Device type to Printer, adjust other serial port communication parameters as required by the connected device, and then choose Submit.

In This Chapter

This chapter discusses how to configure PPP connections. It covers the following topics:

Configuring PPP Connections: Web Interface	34
Configuring Inbound PPP Connections: Command Line.....	36
Configuring Outbound PPP Connections: Command Line	37

Configuring PPP Connections: Web Interface

Use this procedure to configure PPP connections from the web interface. Both Inbound and Outbound PPP connections are configured from this page. See the actual webpages for additional information and help on establishing PPP connections.

1. Access the web interface by placing the IP address of the Digi device in the URL window of a browser.
2. Log in as the root user. The default password is dbps.
3. Navigate to the PPP configuration screen, by choosing PPP from the Configure menu.

A screen similar to the following appears.

Status: Forwarding is off.

***If state is in transition, it will take a period of time to reflect your changes.*

Forwarding:

Proxy ARP

IP Pool Enabled

IP pool status: IP pool ok

IP pool IP address:

IP pool count:

IP Pool Disabled

Inbound PPP

1. Configure the port for a modem with the [Ports menu](#).
2. Configure a PPP user with the [User Menu](#).

Use the context-sensitive online help for information on configuration fields.

Outbound PPP

1. Configure the port for a modem with the [Ports menu](#).
2. If you do **not** want to use the Digi-supplied dialer script (called genmdm) and login script (called loginscript), which work for most applications, use the [Script Menu](#) to create a new script. **Note:** Login scripts are seldom required. Use them when you are configuring Digi-device-to-Digi Device connections and the Digi device that is to be accessed requires the user to supply a password and does not use RADIUS.
3. If you do not want to use the Digi-supplied dialer device (called gendialer), which works for most applications, use the [Device Menu](#) to configure a device.
4. Configure a PPP user with the [User Menu](#).

Use the context-sensitive online help for information on configuration fields.

?

4. Use the web interface and the online help to complete configuration tasks.

Configuring Inbound PPP Connections: Command Line

Use this section to configure simple inbound PPP connections from the command line. For information on fine-tuning PPP connections, see the set user command in the *Digi One/PortServer TS Command Reference*.

Note: CHAP authentication works between two Digi devices. CHAP will be negotiated to PAP for all other connections

Procedure

1. To configure the port for a modem, enter the following command:

```
set ports range=range dev=device
```

where *range* is the port or ports and *device* is one of the following:

- min for inbound only modem connections
- mio for bidirectional modem connections.

See the set ports command in the *Digi One/PortServer TS Command Reference* for more information.

Example: `set ports range=3 device=min`

2. To configure flow control for the ports, enter the following command:

```
set flow range=range flow-control=scheme
```

where *range* is the port or ports and *flow-control=scheme* is the flow control required for this connection. Typically, for modem connections RTS and CTS are on.

Example: `set flow range=3 ixon=off ixoff=off rts=on cts=on`

See the set flow command in the *Digi One/PortServer TS Command Reference* for more information.

3. To configure the baud rate for this connection, enter the following command:

```
set line range=range baud=bps
```

where *range* is the port or ports to configure and *bps* is the line speed in bits-per-second. Typically, you can set this to 115000 bps for modem connections.

Example: `set line range=3 baud=115000`

4. To create an inbound PPP user, enter the following command:

```
set user name=name protocol=ppp netservice=on defaultaccess=netservice
```

where *name* is a name to assign the PPP user

Example:

```
set user name=pppin protocol=ppp netservice=on defaultaccess=netservice
```

5. To configure an IP address for the remote PPP user, enter the following command:

```
set user name=name ipaddr=ip-address
```

where

- *name* is the user's name
- *ip-address* is one of the following: (a) A standard IP address in dotted decimal format. (b) 0.0.0.0, which means the remote user will supply the IP address (c) ippool, which means that the user will be assigned an IP address from an IP address pool. See the set ippool command in the *Digi One/PortServer TS Command Reference*.

Example: `set user name=pppin ipaddr=ippool`

6. If you used the IP address pool option in the previous step, specify the following subnet mask using the following command: (a mask of 255.255.255.255 is required)

```
set user ipmask=255.255.255.255
```

7. To configure an IP address for the local end of the PPP connection, enter the following command:

```
set user name=name localipaddr=ip-address
```

where *name* is the user's name and *ip-address* is the IP address to assign to the local end of the PPP connection. This address must be unique. That is, no other user can be assigned this address and it cannot be the IP address for the Ethernet interface.

Example: `set user name=pppin localipadr=199.1.1.2`

Configuring Inbound PPP Connections: Example

This example shows a very simple PPP inbound configuration. Here are some points on this configuration:

- The port is set up for inbound connections (`dev=min`).
- RTS and CTS are used for flow control.
- The baud rate has been set to 115000 bps.
- The user has been configured to use an IP address pool

```
set ports range=3 device=min
```

```
set flow range=3 ixon=off ixoff=off rts=on cts=on
```

```
set line range=3 baud=115000
```

```
set user name=pppin protocol=ppp netservice=on defaultaccess=netservice
```

```
set user name=pppin ipaddr=ippool
```

```
set user name=pppin localipadr=199.1.1.2
```

Configuring Outbound PPP Connections: Command Line

This section describes how to configure outbound PPP connections. Use it to configure outbound only connections or to configure the outbound portion of bidirectional connections.

Note: CHAP authentication works between two Digi devices. CHAP will be negotiated to PAP for all other connections

Procedure

1. To configure the port for a modem, enter the following command:

```
set ports range=range dev=device
```

where *range* is the port or ports and *device* is one of the following:

- `mout` for outbound only modem connections
- `mio` for bidirectional modem connections.

See the `set ports` command in the *Digi One/PortServer TS Command Reference* for more information.

Example: `set ports range=3 device=mout`

2. To configure flow control for the ports, enter the following command:

```
set flow range=range flow-control=scheme
```

where *range* is the port or ports and *flow-control=scheme* is the flow control required for this connection. Typically, for modem connections RTS and CTS are on.

Example: `set flow range=3 ixon=off ixoff=off rts=on cts=on`

See the `set flow` command in the *Digi One/PortServer TS Command Reference* for more information.

3. To configure baud rate for this connection to the modem, enter the following command:

```
set line range=range baud=bps
```

where *range* is the port or ports to configure and *bps* is the line speed in bits-per-second. Typically, you can set this to 115000 bps for modem connections.

Example: `set line range=3 baud=115000`

4. If you do not want to use the Digi-supplied dialer script (`genmdm`) and login script (`loginscript`), which work for most applications, use the `set script` command to create your own scripts.

See the `set script` command in the *Digi One/PortServer TS Command Reference* for more information.

5. If you do not want to use the Digi-supplied outbound device (`gendialer`), which works for most applications, enter the following command:

```
set device name=name ports=ports dialer=name
```

where

- *name=name* is the name for this device
- *ports* are the ports to associate with this device
- *dialer=name* is the name of a dialer script, either the Digi-supplied script or a user-created one

6. To create a PPP user, enter the following command:

```
set user name=name protocol=ppp
```

where *name* is the name of the PPP user

Example

```
set user name=pppout protocol=ppp
```

7. To configure this user for outbound connections, enter the following command:

```
set user name=name outgoing=on device=device
```

where *device* is either the Digi-supplied device or the outbound device created earlier in this procedure

Example:

```
set user name=pppout outgoing=on device=gendialer
```

8. To configure an IP address for the local end of the PPP connection, enter the following command:

```
set user name=name localipaddr=ip-address
```

where *name* is the user's name and *ip-address* is one of the following:

- 0.0.0.0, which means that the user will request an IP address from the remote server.
- A specific IP address, which means that the Digi device will attempt to use this IP address. The remote server must agree to this request.

Example: `set user name=pppout localipadr=0.0.0.0`

9. To configure a telephone number to dial to reach the outbound user, enter the following command:

```
set user name=name n1=telephone-number
```

where *name* is the user's name and *telephone-number* is the number to dial to reach the user. You can enter

this number as digits only, with dashes (-) separating digits, or with commas.

Example: `set user name=pppout n1=4452624`

Example

This example shows a very simple outbound PPP configuration. Here are some points on this configuration:

- The port is set up for outbound connections (`dev=mout`).
- Hardware flow control is used.
- Default device and scripts are used

```
set ports range=3 device=mout
set flow range=3 ixon=off ixoff=off rts=on cts=on
set line range=3 baud=115000
set user name=pppout protocol=ppp
set user name=pppout dialout=on outgoing=on device=gendialer
set user name=pppout localipadr=0.0.0.0
set user name=pppout n1=4452624
```

set user Field	Description	Example
passpacket	Causes a packet to be passed or blocked	Filter causes incoming packets from an IP address to be accepted and packets from all other IP addresses to be blocked
keepup	Causes the idletimeout timer to be reset and a connection maintained.	Filter that causes the connection to be maintained as long as there is any packet traffic except RIP packets.
bringup	Causes the Digi device to establish a connection.	Filter that causes an outgoing connection to be initiated whenever a packet specifying a particular IP address is handled
logpacket	Causes the Digi device to send a message to the log file	Filter that notifies the log anytime an ICMP packet is handled

Packet Type	Type Identifier
Echo reply	0
Destination unreachable	3
Source quench	4
Redirect	5
Echo request	8
Time exceeded for a datagram	11
Parameter problem on a datagram	12
Timestamp request	13
Timestamp reply	14
Address mask request	17
Address mask reply	18

In This Chapter

This chapter describes how to configure a Digi One TS and a PortServer TS 2/4 MEI for modem emulation. It discusses the following topics:

Modem Emulation (Digi One TS and PortServer TS 2/4 MEI only)	40
Common User Scenarios	41
Modem Emulation Cable Signals	42
Configuring the Device Server for Modem Emulation: Web Interface.....	42
Originating, Answering, and Disconnecting Calls	43
Modem Emulation AT Command Set	44

Modem Emulation (Digi One TS and PortServer TS 2/4 MEI only)

Modem emulation enables a system administrator to configure a networked Digi device server to act as a modem. The Digi device server emulates modem responses to a serial device and seamlessly sends and receives data over an Ethernet network instead of a PSTN (Public Switched Telephone Network). The advantage for a user is the ability to retain legacy software applications without modification and use a less expensive Ethernet network in place of public telephone lines.

To use a Digi device server for modem emulation, do the following:

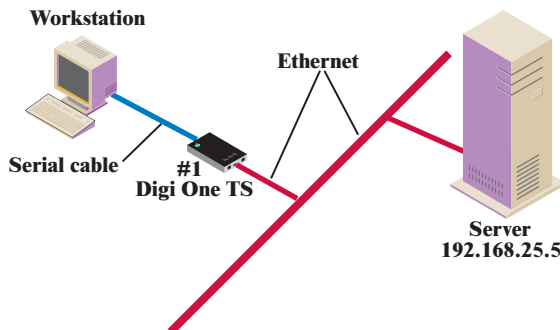
- use a cable with the correct wiring pinouts (see See “Modem Emulation Cable Signals” on page 42.)
- configure the serial ports and device type with the Web Interface

Note: Before AT commands are accepted, DSR must go high on the Digi device server.

Common User Scenarios

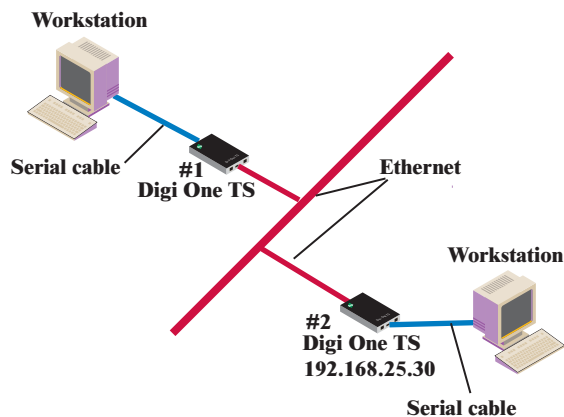
The Digi device server in modem emulation mode allows for the easy replacement of modems in almost any environment where there is a LAN or WAN.

User Scenario-Diagram A



In Diagram A, the Digi One TS replaces a modem connected to a workstation running an application. The Digi One TS allows for the use of software applications without modification by responding to all the AT commands configured in the workstation application. The Digi One TS connects to the IP Address of the server when an `ATDT ipaddress:port` (`ATDT 192.168.25.5:50001`) command is issued. Once the remote device establishes the TCP connection, a `CONNECT` message is sent to the serial port and only then does the Digi device server switch from AT command mode to data mode. Using the modem escape sequence or dropping DTR on either side terminates the connection. A `DISCONNECT` message will be sent to the application if the remote side closes the TCP connection.

User Scenario-Diagram B



In Diagram B, two Digi device servers will replace modems on both sides of the connection. The initiation of the connection occurs with either of the Digi device servers. If both ends are Digi device servers, the TCP listening port number is 50001 for port 1. An example of the connection command is `ATDT 192.168.25.30:50001`. Upon establishing a successful TCP connection, a `CONNECT` message is sent to the serial port and only then does the Digi device server switch from AT command mode to data mode. After the `CONNECT` is received, the transmission of data begins. Using the modem escape sequence or dropping DTR on either side terminates the connection.

Modem emulation has the ability to communicate to an infinite number of other devices.

Modem Emulation Cable Signals

Use the following signal assignments to make a cable connecting the Digi device server to a serial device.

Note: DSR and DTR on the serial device side are connected to the DSR signal of the Digi device server.

Serial Device		Digi Device Server
CTS (in)	←	RTS (out)
RTS (out)	←→	CTS (in)
DSR (in)	←→	DSR (in)
DTR (out)	→	
DCD (in)	←	DTR (out)
TX (out)	←	RX (in)
RX (in)	→	TX (out)
GND	—	GND

Configuring the Device Server for Modem Emulation: Web Interface

Use the following procedure to configure the Digi device server for modem emulation. This procedure configures the serial port parameters and selects the correct Device Type. The following graphic displays a screen capture of this configuration page.

1. Access the web interface by entering the Digi device server's IP address in a browser's URL window.
2. Log in to the device server as root.

The default password is dbps.

3. From the main menu, choose Configure > Ports. The Ports Configuration page is displayed.
4. To configure the port parameters, do the following:
 - a. Choose the port from the port column.
 - b. Select the Device Type as pm.
 - c. The other port parameters are: flow control=hardware, baud rate=115200, bits=8, parity=none, and stop bits=1. The terminal type does not apply to this configuration.

Note: Flow control and baud rate must match on the two communicating devices.
 - d. Choose Submit

Device type: Baud rate:

Terminal type: Data bits:

Flow control: Parity:

Stop bits:

Originating, Answering, and Disconnecting Calls

In the following table, an application requests a TCP session with the Digi device server. The table displays the responses of the Digi device server and application as they negotiate a TCP connection.

Application AT Command	Digi Device Server Response	Notes
AT&F	OK.	AT command request to restore defaults to factory settings-Digi device server responds OK.
ATDT <i>ipaddress:TCPport#</i>	Receives request to start a TCP session. CONNECT 115200.	Request to start TCP session with IP address and TCP port number of the Digi device server-Digi device server starts a TCP session
<P>+++<P>	OK	Escape sequence is sent <P> is Pause in seconds with “+++” being the escape sequence in ASCII characters - Digi device server switches from AT command to data mode
ATH	NO CARRIER response sent	Disconnect AT command is sent-Digi device server responds with NO CARRIER

In the following table, the Digi device server receives a request for a connection.

AT Command	Digi Device Server Response	Notes
	RING	The Digi device server sends a Call Notification
ATA (or ATSO=n)	CONNECT 115200	Manual (ATA) or Auto Answer (ATSO=n) response-the Digi device server sends a CONNECT message when the TCP session is started
	NO CARRIER	The Digi device server sends a NO CARRIER message when the remote disconnects

Originating Calls

To send data to a Digi device server, enter the following information for your application replacing the telephone number with the Digi device server’s IP address and TCP port number. Enter the following command:

ATDT *ipaddress:tcp_port#*

an example is ATDT 146.135.13.5:50001

Answering Calls

The Digi device server listens on a pre-defined TCP port to receive data. When the Digi device server receives a call notification (RING) through a serial port to begin a TCP connection, it needs to reply with an ATA or a pre-configured Auto-Answer to answer the call.

Note: The TCP ports assigned to the serial ports are as follows:

- Serial port 1 listens on TCP port 50001
- Serial port 2 listens on TCP port 50002
- Serial port 3 listens on TCP port 50003
- Serial port 4 listens on TCP port 50004

Disconnecting Calls

The TCP connection disconnects by either dropping the DTR signal on the serial port or sending the escape sequence <P>+++<P> to the Digi device server. <P> represents a one second pause.

Disconnecting Calls-Digi Device Server

The Digi device server sends a NO CARRIER response to the serial port when the network connection is dropped.

Modem Emulation AT Command Set

<u>AT Command</u>	<u>Function</u>	<u>Result Code</u>																								
ATA	Answer command: The Digi Device Server will go off hook and answer a TCP connection request.																									
ATD<IP>: <TCP PORT>	<p>This command directs the Digi Device Server to go on-line, dial according to the IP address entered as follow 191.1.2.3:12 and attempt to establish a TCP connection. If no dial string is supplied, the Digi Device Server will respond no dial tone.</p> <p>Note: If the ATD command is issued before the S1 register has cleared, the modem will respond with the NO CARRIER result code.</p> <p>Dial Modifiers. The valid dial string parameters are described below. Punctuation characters may be used for clarity, with parentheses, hyphen, and spaces being ignored.</p> <table border="1"> <tr> <td>0-9</td> <td>DTMF digits 0 to 9.</td> </tr> <tr> <td>.</td> <td>Dot notation used for IP addresses. IP addresses are written as four numbers separated by periods, where the first number is between 1 and 255 and the other three numbers are between 0 and 255. Retype the IP address in the format xxx.xxx.xxx.xxx .</td> </tr> <tr> <td>:</td> <td>Colon notation used for the TCP port</td> </tr> <tr> <td>L</td> <td>Re-dial last number: the modem will re-dial the last valid telephone number. The L must be immediately after the D with all the following characters ignored.</td> </tr> <tr> <td>P</td> <td>This command is accepted, but not acted on.</td> </tr> <tr> <td>T</td> <td>This command is accepted, but not acted on.</td> </tr> <tr> <td>R</td> <td>This command is accepted, but not acted on.</td> </tr> <tr> <td>S=n</td> <td>Dial the number stored in the directory (n=0 to 3). (See &Z.)</td> </tr> <tr> <td>,</td> <td>Dial pause: the modem will pause for a time specified by S8 before dialing the digits following “,”.</td> </tr> <tr> <td>-</td> <td>Ignored: may be used to format the dial string.</td> </tr> <tr> <td><space></td> <td>Ignored: may be used to format the dial string.</td> </tr> <tr> <td><I></td> <td>Invalid character: will be ignored.</td> </tr> </table>	0-9	DTMF digits 0 to 9.	.	Dot notation used for IP addresses. IP addresses are written as four numbers separated by periods, where the first number is between 1 and 255 and the other three numbers are between 0 and 255. Retype the IP address in the format xxx.xxx.xxx.xxx .	:	Colon notation used for the TCP port	L	Re-dial last number: the modem will re-dial the last valid telephone number. The L must be immediately after the D with all the following characters ignored.	P	This command is accepted, but not acted on.	T	This command is accepted, but not acted on.	R	This command is accepted, but not acted on.	S=n	Dial the number stored in the directory (n=0 to 3). (See &Z.)	,	Dial pause: the modem will pause for a time specified by S8 before dialing the digits following “,”.	-	Ignored: may be used to format the dial string.	<space>	Ignored: may be used to format the dial string.	<I>	Invalid character: will be ignored.	
0-9	DTMF digits 0 to 9.																									
.	Dot notation used for IP addresses. IP addresses are written as four numbers separated by periods, where the first number is between 1 and 255 and the other three numbers are between 0 and 255. Retype the IP address in the format xxx.xxx.xxx.xxx .																									
:	Colon notation used for the TCP port																									
L	Re-dial last number: the modem will re-dial the last valid telephone number. The L must be immediately after the D with all the following characters ignored.																									
P	This command is accepted, but not acted on.																									
T	This command is accepted, but not acted on.																									
R	This command is accepted, but not acted on.																									
S=n	Dial the number stored in the directory (n=0 to 3). (See &Z.)																									
,	Dial pause: the modem will pause for a time specified by S8 before dialing the digits following “,”.																									
-	Ignored: may be used to format the dial string.																									
<space>	Ignored: may be used to format the dial string.																									
<I>	Invalid character: will be ignored.																									
ATEn	<p>Command echo. The Digi Device Server enables or disables the echo of characters to the DTE according to the parameter supplied. The parameter value, if valid, is written to S14 bit 1.</p> <p>E0 : Disables command echo E1 : Enables command echo</p>	OK n=0 or 1 ERROR otherwise																								
ATH	<p>Disconnect (Hang up) command</p> <p>This command initiates a hang up sequence.</p> <p>H0 : Disconnect the TCP session if the modem is currently on line. H1 : If on-hook, the Digi Device Server will go off-hook and enter command mode.</p>	OK n=0 or 1 ERROR Otherwise																								
ATIn	<p>Identification command</p> <p>I0 reports product code. Example: Digi Device server I1 reports 255 I2 reports “OK” I3 reports “OK” I4 reports DIGI_DS_TS I5 reports “OK” I6 reports “OK” I7 reports “OK” I8 reports “ERROR” I9 reports “ERROR”</p>	OK n=0 or 9 ERROR Otherwise																								
ATLn	Accepted but ignored.	OK n=0 or 3 ERROR Otherwise																								
ATMn	Accepted but ignored.	OK n=0 or 3 ERROR Otherwise																								

ATNn	Accepted but ignored.	OK n=0 or 1 ERROR Otherwise
ATOn	Return to On-Line Data Mode. This command determines how the modem will enter the on-line data mode. If the modem is in the on-line command mode, the modem enters the on-line data mode. If the modem is in the off-line command mode (no connection), ERROR is reported. O0 Enters on-line data mode. Handling is determined by the Call Establishment task. Generally, if a connection exists, this command connects the DTE back to the remote modem after an escape (+++). O1 Same as above	OK n = 0 or 1 and a connection exists. ERROR Otherwise or if not connected.
ATP	Accepted but ignored.	OK
ATQn	Quiet Results Codes Control command. The command enables or disables the sending of the result codes to the DTE according to the parameter supplied. The parameter value, if valid, is written to S14 bit 2. Q0 Enables result code to the DTE (Default). Q1 Disables result code to the DTE	OK n=0 or 1 ERROR Otherwise
ATSn	Read/Write S- Register. n Establishes S-register n as the last register accessed n=v Sets S-Register n to the value v. n? Reports the value of S-Register n.	
ATT	Accepted but ignored..	OK
ATVn	Result Code Form. This command selects the sending of short-form or long-form codes to the DTE. The parameter, if valid, is written to S14 bit 3. V0 Enables short-form (terse) result codes. Line feed is not issues before a short-form result. V1 Enables long-form (verbose) results codes (Default).	OK n=0 or 1 ERROR Otherwise
ATWn	Accepted but ignored.	OK n=0 to 3 ERROR Otherwise
ATXn	Accepted but ignored.	OK n=0 to 3 ERROR Otherwise
ATYn	Accepted but ignored.	OK n=0 or 1 ERROR Otherwise
ATZn	Accepted but ignored. (Soft Reset and restore Profile).	OK n=0 or 1 ERROR Otherwise
<u>AT& Commands</u>		
AT&Cn	DCD Option. The Digi Device Server controls the DCD output in accordance with the parameter supplied. The parameter value, if valid is written to S21 bit 5. &C0 DCD remains ON at all times. &C1 DCD follows the state of the connection	OK n=0 or 1 ERROR Otherwise
AT&Dn	DTR Option. This command interprets the ON to OFF transition of the DTR signal from the DTE in accordance with the parameter supplied. The parameter value, if valid, is written to S21 bits 3 and 4. Also see S25. &D0 - DTR is ignored (assumed ON). Allows operation with DTEs which do not provide DSR. &D1 DTR drop is interpreted by the modem as if the asynchronous escape sequence had been entered. The modem returns to asynchronous command state without disconnecting. &D2 DTR drop causes the modem to hang up. Auto-answer is inhibited. (Default.) &D3 DTR drop causes the modem to perform a soft reset as if the Z command were received. The &Y setting determines which profile is loaded.	OK n=0 to 3 ERROR Otherwise

AT&Fn	<p>Restore Factory Configuration (Profile)</p> <p>The Device Server loads the factory default configuration (profile). The factory defaults are identified for each command and in the S-Register descriptions. A configuration (profile) consists of a subset of S-Registers.</p> <p style="padding-left: 40px;">&F0Restore factory configuration 0. &F1Restore factory configuration 1.</p>	<p>OK n=0 or 1 ERROR Otherwise</p>
AT&Jn	<i>Accepted but ignored.</i>	<p>OK n=0 or 1 ERROR Otherwise</p>
AT&Gn	<i>Accepted but ignored.</i>	<p>OK n=0 or 1 ERROR Otherwise</p>
AT&In	<i>Accepted but ignored.</i>	<p>OK n=0 or 1 ERROR Otherwise</p>
AT&Kn	<p>Flow control. This command defines the DTE/DCE flow control mechanism. The parameter value, if valid, is written to S39 bits 0, 1, and 2.</p> <p style="padding-left: 40px;">&K0 Disables flow control &K3 Enables RTS/CTS flow control (Default) &K4 Enables XON/XOFF flow control &K5 Enables transparent XON/XOFF flow control &K6 Enables both RTS/CTS and XON/XOFF flow control.</p>	<p>OK n=0,3,4,5, or 6 ERROR Otherwise</p>
AT&Ln	<i>Accepted but ignored.</i>	<p>OK n=0, 1, 2 ERROR Otherwise</p>
AT&Mn	<i>Accepted but ignored.</i>	<p>OK n=0, 1, 2 ERROR Otherwise</p>
AT&Pn	<i>Accepted but ignored.</i>	<p>OK n=0, 1, 2 ERROR Otherwise</p>
AT&Qn	<i>Accepted but ignored.</i>	<p>OK n=0 to 8 ERROR Otherwise</p>
AT&Rn	<p>RTS/CTS Option</p> <p>This selects how the Digi Device Server controls CTS. CTS is modified if hardware flow control is selected (see &K command). The parameter value, if valid, is written to S21 bit2.</p> <p style="padding-left: 40px;">&R0CTS reflects the ability of the modem to transmit data. For example, CTS will drop during retrains. In sync mode, CTS tracks the state of RTS; the RTS-to-CTS delay is defined by S26. In async mode, CTS is normally ON and will turn OFF only if required by flow control.</p> <p style="padding-left: 40px;">&R1CTS forced on (default). In sync mode, CTS is always ON (RTS transitions are ignored). tracks the state of RTS. In async mode, CTS is normally ON and will turn OFF only if required by flow control.</p> <p style="padding-left: 40px;">&R2CTS follows RTS.</p>	<p>OK n=0 or 1 ERROR Otherwise</p>
AT&Sn	<p>DSR Override</p> <p>This command selects how the modem will control DSR. The parameter value, if valid, is written to S21 bit 6.</p> <p style="padding-left: 40px;">&S0DSR will remain ON at all times. (Default.) &S1DSR will become active after answer tone has been detected and inactive after the carrier has been lost.</p>	<p>OK n=0 or 1 ERROR Otherwise</p>
AT&Tn	<i>Accepted but ignored.</i>	<p>OK n= 0 ERROR Otherwise</p>
AT&V	<p>Display Current Configuration and Stored Profiles</p> <p>There is no NVRAM support currently.</p>	OK
AT&Vn	<i>Accepted but ignored.</i>	<p>OK n=0 to 5 ERROR Otherwise</p>
AT&V6	Display current IP settings of the Device Server	OK

AT&Wn	Accepted but ignored.	OK n=0 or 1 ERROR Otherwise
AT&Xn	Accepted but ignored.	OK n=0 or 1 ERROR Otherwise
AT&Yn	Accepted but ignored.	OK n=0 or 1 ERROR Otherwise
AT&Zn	&Zn=x - Store Telephone Number. Currently not supported	OK n=0 or 3 ERROR Otherwise
<u>AT</u> Commands		
AT\An	Accepted but ignored.	OK n=0 to 3 ERROR Otherwise
AT\Gn	Accepted but ignored.	OK n=0 or 1 ERROR Otherwise
AT\Kn	Accepted but ignored.	OK n=0 to 5 ERROR Otherwise
AT\Nn	Operating Mode This command controls the preferred error correcting mode to be negotiated in a subsequent data connection. <ul style="list-style-type: none"> \N0 Selects normal speed buffered mode \N1 Serial interface selected - Selects direct mode \N2 Accepted but ignored. \N3 Accepted but ignored. \N4 Accepted but ignored. \N5 Accepted but ignored. 	OK n=0 to 5 ERROR Otherwise
AT\Vn	Accepted but ignored.	OK n=0 or 1 ERROR Otherwise
AT+MS	Accepted but ignored.	OK
AT+MI	Accepted but ignored.	OK
<u>AT%</u> Commands		
AT%Cn	Accepted but ignored.	OK n=0 to 3 ERROR Otherwise

S-Registers

Register	Function	Range	Units	Saved	Default
S0	Rings to Auto-Answer Sets the number of rings required before the Digi Device Server automatically answers a call. Setting this register to Zero disables auto-answer mode.	0-255	Rings	*	0
S1	Ring Counter S1 is incremented each time the modem detects a ring signal on the telephone line. S1 is cleared if no rings occur over an eight second interval.	0-255	Rings		0
S2	Escape Character S2 holds the decimal value of the ASCII character used as the escape character. The default value corresponds to an ASCII '+'. A value over 127 disables the escape process, i.e., no escape character will be recognized.	0-255	ASCII	*	43
S3	Carriage Return Character Sets the command line and result code terminator character. Pertains to asynchronous operation only.	0-127	ASCII		13
S4	Line Feed Character Sets the character recognized as a line feed. Pertains to asynchronous operation only. The Line Feed control character is output after the Carriage Return control character if verbose result codes are used.	0-127	ASCII		10
S5	Backspace Character Sets the character recognized as a backspace. Pertains to asynchronous operation only. The modem will not recognize the Backspace character if it is set to a value that is greater than 32 ASCII. This character can be used to edit a command line. When the echo command is enabled, the modem echoes back to the local DTE the Backspace character, an ASCII space character and a second Backspace character; this means a total of three characters are transmitted each time the modem processes the Backspace character.	0-32	ASCII		8
S6	<i>Accepted but ignored.</i>	2-255	s	*	2
S7	<i>Accepted but ignored.</i>	1-255	s	*	50
S8	<i>Accepted but ignored.</i>	0-255	s	*	2
S9	<i>Accepted but ignored.</i>	1-255	0.1 s	*	6
S10	<i>Accepted but ignored.</i>	1-255	0.1 s	*	14
S11	<i>Accepted but ignored.</i>	50-255	0.001 s	*	95
S12	Escape Prompt Delay Defines the maximum period, in fiftieths of a second, allowed between receipt of the last character of the three escape character sequence from the DTE and sending of the OK result code to the DTE. If any characters are detected during this time, the OK will not be sent. Note that sending of the OK result code does not affect entry into command mode.	0-255	0.02 s	*	50
S13	Reserved	-	-		-

Register	Function	Range	Units	Saved	Default
S14	<p>General Bit Mapped Options Status</p> <p>Indicates the status of command options.</p> <p>Default: 138 (8Ah) (10001010b)</p> <p>Bit 0 This bit is ignored.</p> <p>Bit 1 Command echo (En) 0 = Disabled (E0) 1 = Enabled (E1) (Default.)</p> <p>Bit 2 Quiet mode (Qn) 0 = Send result codes (Q0) (Default.) 1 = Do not send result codes (Q1)</p> <p>Bit 3 Result codes (Vn) 0 = Numeric (V0) 1 = Verbose (V1) (Default.)</p> <p>Bit 4 Reserved</p> <p>Bit 5 Tone (T)/Pulse (P) 0 = Tone (T) (Default.) 1 = Pulse (P)</p> <p>Bit 6 Reserved</p> <p>Bit 7 Originate/Answer 0 = Answer 1 = Originate (Default.)</p>			*	138 (8Ah)
S15	Reserved	-	-		-
S16	Accepted but ignored.	-	-		0
S17	Reserved	-	-	-	-
S18	Accepted but ignored.	0-255	s	*	0
S19	Accepted but ignored.	-	-		0
S20	Accepted but ignored.	0-255	-	*	0
S21	<p>General Bit Mapped Options Status</p> <p>Indicates the status of command options.</p> <p>Default:52 (34h) (00110100b)</p> <p>Bit 0 Set by &Jn command but ignored otherwise. 0 = &J0 (Default.) 1 = &J1</p> <p>Bit 1 Reserved</p> <p>Bit 2 CTS behavior (&Rn) 0 = CTS tracks RTS (&R0) 1 = CTS always on (&R1) (Default.)</p> <p>Bits 3-4 DTR behavior (&Dn) 0 = &D0 selected 1 = &D1 selected 2 = &D2 selected (Default.) 3 = &D3 selected</p> <p>Bit 5 RLSD (DCD) behavior (&Cn) 0 = &C0 selected 1 = &C1 selected (Default.)</p> <p>Bit 6 DSR behavior (&Sn) 0 = &S0 selected (Default.) 1 = &S1 selected</p> <p>Bit 7 Long space disconnect (Yn) 0 = Y0 (Default.) 1 = Y1</p>	-	-	*	52 (34h)
S22	Accepted but ignored.	-	-	*	117 (75h)

Register	Function	Range	Units	Saved	Default
S23	<p>General Bit Mapped Options Status</p> <p>Indicates the status of command options. Default: 62 (3Dh) (00111110b)</p> <p>Bit 0 Grant RDL 0 = RDL not allowed (&T5) (Default.) 1 = RDL allowed (&T4)</p> <p>Bits 1-3 DTE Rate 0 = 0 - 300 bps 1 = 600 bps 2 = 1200 bps 3 = 2400 bps 4 = 4800 bps 5 = 9600 bps 6 = 19200 bps 7 = 38400 bps or higher (Default.)</p> <p>Bits 4-5 Assumed DTE parity 0 = even 1 = not used 2 = odd 3 = none (Default.)</p> <p>Bits 6-7 not action applied</p>			*	62 (3Dh)
S24	<i>Accepted but ignored.</i>	0-255	s	*	0
S25	<p>Delay to DTR Off</p> <p>Sets the length of time that the modem will ignore DTR for taking the action specified by &Dn. Its units are seconds for synchronous modes and one hundredths of a second for other modes</p>	0-255	s or 0.01 s		5
S26	<p>RTS-to-CTS Delay</p> <p>Sets the time delay, in hundredths of a second, before the modem turns CTS ON after detecting an OFF-to-ON transition on RTS when &R0 is commanded. Pertains to synchronous operation only.</p>	0-255	0.01 s		1
S27	General Bit Mapped Options Status	-	-	*	73 (49h)
S28	<i>Accepted but ignored.</i>	-	-	*	0
S29	<i>Accepted but ignored.</i>	0-255	10 ms		70
S30	<i>Accepted but ignored.</i>	0-255	10 s		0
S31	<i>Accepted but ignored.</i>	-	-	*	194 (C2h)
S32	XON Character	0-255	ASCII		17 (11h)
S33	XOFF Character	0-255	ASCII		19 (13h)
S34	S35 Reserved	-	-		-
S36	<i>Accepted but ignored.</i>	-	-	*	7
S37	<i>Accepted but ignored.</i>	-	-	*	0
S38	<i>Accepted but ignored.</i>	0-255	s		20
S39	<p>Flow Control Bit Mapped Options Status</p> <p>Default: 3 (00000011b)</p> <p>Bits 0-2 Status of command options 0 = No flow control 3 = RTS/CTS (&K3) (Default.) 4 = XON/XOFF (&K4) 5 = Transparent XON (&K5) 6 = Both methods (&K6)</p> <p>Bits 3-7 Reserved</p>	-	-	*	3
S40	<i>Accepted but ignored.</i>	-	-	*	104 (68h)
S41	<i>Accepted but ignored.</i>	-	-	*	195 (C3h)
S42 - S45	Reserved	-	-		-
S46	<i>Accepted but ignored.</i>	-	-	*	138
S48	<i>Accepted but ignored.</i>	-	-	*	7
S82	<i>Accepted but ignored.</i>	-	-		128(40h)

Register	Function	Range	Units	Saved	Default
S86	<i>Accepted but ignored.</i>	0-255	-		-
S91	<i>Accepted but ignored.</i>	0-15	dBm		10 (Country dependent)
S92	<i>Accepted but ignored.</i>	0-15	dBm		10 (Country dependent)
S95	<i>Accepted but ignored.</i>	-	-	*	0

* Register value may be stored in one of two user profiles with the &W command.

Result Codes

Short	Long Form		Short	Long Form		Short	Long Form
0	OK		13	CONNECT 7200		84	CONNECT 33600
1	CONNECT		14	CONNECT 12000		91	CONNECT 31200
2	RING		15	CONNECT 14400		165	CONNECT 32000
3	NO CARRIER		16	CONNECT 19200		166	CONNECT 34000
4	ERROR		17	CONNECT 38400		167	CONNECT 36000
5	CONNECT 1200		18	CONNECT 57600		168	CONNECT 38000
6	NO DIALTONE		19	CONNECT 115200		169	CONNECT 40000
7	BUSY		20	CONNECT 230400		170	CONNECT 42000
8	NO ANSWER		59	CONNECT 16800		171	CONNECT 44000
9	CONNECT 0600		61	CONNECT 21600		172	CONNECT 46000
10	CONNECT 2400		62	CONNECT 24000		173	CONNECT 48000
11	CONNECT 4800		63	CONNECT 26400		174	CONNECT 50000
12	CONNECT 9600		64	CONNECT 28800			

In This Chapter

This chapter describes how to configure the Digi One/PortServer TS 2/4 for Console Management. It discusses the following topics:

About Console Management	52
Configuring SSH.....	53
Accessing Attached Devices.....	54
Securing Console Access.....	55
Configuring Port Buffering.....	56
Configuring User Menus	56

About Console Management

Digi One/PortServer TS 2/4 can be configured to remotely manage network devices, such as routers, switches, power units, and servers, which usually provide EIA-232 serial ports for management. Using the Digi One/PortServer TS 2/4 and TCP/IP utilities like reverse Telnet and SSH2, network administrators can access consoled serial ports from a single station over the LAN. Power management also enables the network administrator to control and monitor power units and the devices attached to them from a single location. The SSH2 feature secures access to ports and devices as defined by the network administrator.

Configuring Ports

The Digi One/PortServer TS 2/4 serial ports must be configured properly before they will support console management. To configure the serial ports for console management, do the following:

1. From a web browser, login to the Portserver TS as root (default password is dbps). Make the following changes from the Configure > Ports page.
2. For each port connected to a device that will be managed, change the device type setting for the port to Printer (prn).
Default device type setting for all ports: terminal (term)
3. Ensure that the port and the device to be managed are using the same flow control scheme and other port parameters.
Default settings are: software flow control, 9600 bps, 8 bits, None for parity, 1 stop bit.

Configuring SSH

The Digi One/PortServer TS 2/4 supports SSH version 2. Users can connect using a variety of SSH clients that are available. There are three authentication options you can choose from to validate users. These options are local authentication, SSH authentication, and RADIUS authentication. There is no special configuration for local authentication. For how to configure your device for RADIUS authentication, see the chapter on Configuring RADIUS. See the following section on how to configure SSH for authentication.

If you want to use SSH2 connections and use an SSH public key for authentication, do the following:

- Ensure that you have supported hardware and firmware. This feature works on the devices specified in the following table. To determine the hardware level of your device, see the label on the bottom of the unit. To determine the firmware level, use the set config command.

Device	Required Hardware	Required Firmware
Digi One TS	50000771-01A or higher	82000747a or higher
PortServer TS 2	50000771-02A or higher	
PortServer TS 4	50000771-03A or higher	

- If you have a supported device, enter the following command

```
set user name=name loadkey=host:key
```

where

- *name* is the name of a user
- *host* is either an IP address or DNS name of a host running TFTP
- *key* is the name of a file that contains the DSA public key. If your host's implementation requires a complete path to the file, specify the path here as well.

Example: `set user name=secure loadkey=143.191.2.34:ssh-file`

Note: Use the table to determine whether your Digi product supports SSH2 connections using a public key for authentication.

Example: SSH2 and Menu Access

In this example, a Digi device is configured to use an SSH2 public key, and it presents a menu to the administrator, from which he or she will select a device to manage.

Key aspects of this configuration include the following:

- Two ports to which the managed devices are connected specify `dev=prn`, a device type that does not spawn a login from the Digi device.
- A menu specifies connect commands, which when selected provide connections to ports 1 and 2 and the managed systems. The menu also specifies a menu table index number of 6 (on the range parameter), which is then linked to a user with the `set user` command

```
set ports dev=prn range=1-2
set line baud=19200 range=1-2
set menu name=menu1 t1="Console Management Menu" range=6
set menu name=menu1 range=6 m1="Connect to System 1" c1="connect 1"
set menu name=menu1 range=6 m2="Connect to System 2" c2="connect 2"
set user name=admin1 defaultaccess=menu menu=6 password=on outgoing=on
set user name=admin1 loadkey=142.191.2.34:ssh-file1
newpass name=admin1
```

Accessing Attached Devices

Telnet

Telnet is a direct connection to another device on the network. Once a user is connected to the device with a telnet session, they can connect to a specific port. Use the following procedure to initiate a telnet session:

```
telnet ipaddress
```

An example is: `telnet 192.168.5.24`

At the command prompt, the user can connect directly to a port by entering the following command:

```
connect portnumber
```

An example is: `connect 8`

This command initiates a telnet session on port 8. Other methods for accessing ports using a telnet session are through Custom Menus and Autoconnect.

Telnet Direct to a Port (Reverse Telnet)

Where Telnet is a direct connection to a device, reverse telnet is a direct connection to a device's serial port from the network. In the example below, a user connects directly to serial port 8 on a PortServer. Reverse telnet uses a socket numbering scheme starting with 2000 plus the port number.

```
telnet 192.1.2.3 2008
```

A reverse telnet session can be authenticated on a Digi device with a RADIUS server.

Note: Ports must be configured for console management before they can be used for reverse telnet or reverse ssh. See "Configuring a Port for Autoconnection: Web Interface" on page 29.

Raw TCP

Raw tcp is similar to a telnet session except raw tcp involves no negotiation and is designed strictly to pass raw data. To establish a raw tcp connection to a port, enter a command based on the following example.

```
telnet 192.1.2.3 2112
```

SSH Direct to a Port (Reverse SSH)

Reverse ssh is the same as a reverse telnet session except the communication session is encrypted. Reverse ssh uses the socket numbering scheme of 2500 + the port number. In the example below, the user establishes a connection to port 12 on a Digi device.

```
ssh 192.1.2.3 2512
```

Users on a Linux system should use the following example for reverse ssh.

```
ssh -lroot -p2512 192.1
```

Alternate IP Addresses

If you want to simplify access to the ports, do following to access a port from a workstation on the LAN. You can assign IP addresses to each port that will be connected to a managed device, which allows the administrator to Telnet directly to the port without specifying a port number. See set altip command in the *Digi One/PortServer TS Command Reference* for more information.

Configuration

In this example, the Digi One/PortServer TS 2/4 is configured with

- Alternate IP addresses using set altip commands, which assign IP addresses to ports 1 and 2. This enables direct access to one of these ports with a Telnet command that specifies one of the IP addresses.
- Password protection on ports 1 and 2. This is done with the set auth command that leaves all hosts to login by specifying the ip address as 0.0.0.0.

```
set ports dev=prn range=1-2
```

```
set line baud=19200 range=1 unrestricted=name ip=0.0.0.0 mask=0.0.0.0
```

```
set auth login=1-2 range=2
```

```
set altip group=1 ip=119.180.33.50
```

```
set altip group=2 ip=119.180.33.51 User Command
```

In this example, a user Telnets to port 1 using an IP address. The user will be required to log in before access to the port is granted.

```
telnet 119.180.33.50
```

Securing Console Access

The Portserver TS8/16 provides the user with the ability to obtain secure and reliable access to console ports. Access to ports can be restricted in three ways:

1. User

Users can be setup with menu access, whereby the user is limited to the options presented in the menu. A port can also be assigned a specific User ID (UID). Access to the port is then restricted to that particular user.

2. Protocol

Protocols supported by the Portserver TS8/16 can be turned off to restrict the ways users can access ports. For example services such as telnet and http can be turned off with SSHv2 being the only method available to access.

3. Source IP

Ports can also be restricted by the source IP of the computer wanting access.

For details on configuring these options, refer to Chapter 11, or see the description of the following commands in the *Digi One/PortServer TS Command Reference*.

- set ports uid=
- set secureaccess
- set auth

Configuring Port Buffering

Note: Port buffering is supported on PortServer TS 2/4 MEI and PortServer TS 8/16 devices only.

Serial ports store data or information in what are called buffers. Buffers are helpful to administrators who use them to monitor events on a system. If a system unexpectedly goes down, the administrator can look in a logfile (buffer) to find out what caused the system to go down. The buffers serve to diagnose network and device problems.

To configure a port for port buffering, do the following:

1. From the web interface, choose Configure > Port Buffering.
2. Select the port you want to configure.

Choose On to turn on buffering, select the size of the buffer, and choose Submit.

Note: Buffers can only be viewed by administrators from the web interface page.

Configuring User Menus

The web interface configuration utility provides an easy method for configuring user menus. The menus can be designed to give users access to specific devices or ports. To configure a menu from the web browser, login to the Digi device server as root (default password is dbps) and choose Configure > Menus.

Chapter 11

Configuring IP Routing

In This Chapter

This chapter describes how to configure IP routing. It discusses the following topics:

Configuring Static Routes.....	58
Configuring Dynamic Routes Using RIP	59
Configuring Proxy ARP.....	59

Configuring Static Routes

This section describes how to configure Digi One/PortServer TS 2/4 for static routes.

Related Information

See the `set route` command in the *Digi One/PortServer TS Command Reference*.

Procedure

To configure a static route over a PPP link, enter the following command:

```
set route net=addr mask=mask metric=hops wanname=interface gateway=gateway
```

where

- *addr* is either the IP address of a system to be reached over this route or the network address of the subnet that is to be reached on this route
- *mask* is the mask to use for interpreting the IP address.
- *metric* is the number of hop to the destination
- *interface* is either `ether` if this route is over the Ethernet interface or the name of a user if the route is over a PPP link
- *gateway* is the IP address of the device that is the next hop to the destination

Example: Route Using the Ethernet Interface

In this example, a route to a subnet is created over the Ethernet interface. Key features include the following:

- The address on the net field is a subnetwork address, not the IP address of a specific device
- The wanname=ether, indicating that this route is over the Ethernet interface
- The metric field indicates that packets to this subnet will pass through two routers
- The gateway field indicates that all packets using this route are to be forwarded to the device at IP address 191.21.21.2.

```
set route net=199.21.33.0 mask=255.255.255.0 metric=2 wannname=ether gateway=199.21.21.2
```

Example: Route Using a PPP Link

In this example, a route to a subnet is created over a PPP interface. Key features include the following:

- The address on the net field is IP address of a specific device, not a subnetwork address
- The wanname is the name of a PPP user.
- The metric field indicates that packets to this subnet will pass through two routers
- The gateway field indicates that all packets using this route are to be forwarded to the device at IP address 191.21.21.2.

```
set route net=199.21.33.44 mask=255.255.255.255 metric=2 wannname=ppp1 gateway=199.21.21.2
```

Configuring Dynamic Routes Using RIP

This section describes how to configure Digi One/PortServer TS 2/4 for dynamic routing.

Related Information

See the set forwarding command in the *Digi One/PortServer TS Command Reference*.

Starting Point

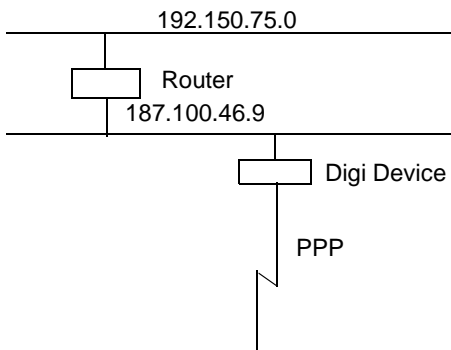
This procedure assumes that you have sign on as root and have or will configure modems, modem scripts, devices, and filters for routes that use serial lines.

Procedure

1. Configure the links over which routed packets and RIP updates will be sent.
 - To enable routing over the LAN to which Digi One/PortServer TS 2/4 is attached, no routing-specific configuration is required.
 - To enable routing over PPP links be sure to use the netrouting field on the set user command to configure how Digi One/PortServer TS 2/4 handles RIP updates. You can configure the link so that Digi One/PortServer TS 2/4 does any of the following with RIP updates:
 - Both sends and receives them (netrouting=both)
 - Sends them only (netrouting=send)
 - Receives them only (netrouting=receive)
 - Neither sends nor receives them (netrouting=off)
2. Configure the Digi One/PortServer TS 2/4 for dynamic routing with a set forwarding command that specifies state=active.

Example: Dynamic Routes

In this example, which shows only those commands and command fields pertinent to routing, Digi One/PortServer TS 2/4 is configured for dynamic routing using RIP. But to prevent RIP updates from being sent across the PPP link, the set user command that defines the link specifies netrouting=off.



```
set forwarding state=active poisonreverse=on splithorizon=on
set user name=link1...netrouting=off
```

Configuring Proxy ARP

This section describes how to configure Digi One/PortServer TS 2/4 for Proxy ARP.

Related Information

See the `set forwarding` command in the *Digi One/PortServer TS Command Reference*.

Starting Point

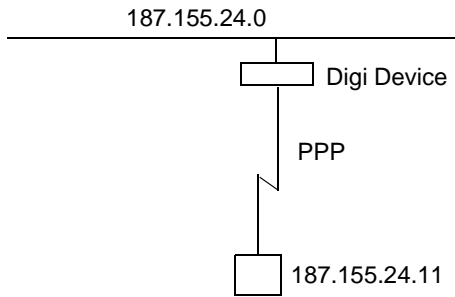
This procedure assumes that you have signed on as root and have or will configure modems, modem scripts, devices, and filters for routes that use serial lines.

Procedure

1. Configure the links over which packets will be routed using a `set user` command. This command must specify (on the `ipaddr` field) a specific IP address for the remote system using the Proxy ARP service.
2. Configure Digi One/PortServer TS 2/4 for Proxy ARP by supplying a `set forwarding` command that specifies the following:
 - `state=passive`
 - `proxyarp=on`

Example

In this example, Digi One/PortServer TS 2/4 provides Proxy ARP services to a remote host.



```
set user name=link1...ipaddr=187.155.24.11
set forwarding state=passive proxyarp=on
```

In This Chapter

This chapter describes how to configure Digi One/PortServer TS 2/4 MEI for use in an industrial automation environment.

Configuring Modbus.....	62
Configuring the User-Defined Protocol.....	63

Configuring Modbus

About the Modbus Serial-Port Protocols

Modbus is a protocol that defines how devices in an industrial automation (IA) environment communicate. It specifies that a controlling unit, called a master, manages one or more units, called slaves. The protocol specifies that only the master may initiate communication. Slaves may only respond.

The protocol defines the structure of Modbus messages, determines how the master requests information from the slave or specifies an action for the slave to take, defines how the slave is to respond, specifies addressing conventions, and deals with many of the other details required for communication to occur. Modbus defines two encoding schemes, Modbus ASCII and Modbus RTU. Each Modbus device uses one or the other.

Designed to function over a serial communication cable, Modbus has been extended in recent years to function over an Ethernet network using Modbus/TCP, which defines a method of encapsulating Modbus ASCII or Modbus RTU messages in IP packets for transport over the network.

The extremely flexible Digi implementation includes support for Modbus ASCII, Modbus RTU, Modbus/TCP, and two other methods of transport over a network, TCP socket and UDP socket communication. The implementation enables multiple network-based masters to concurrently initiate communication with serial-based slaves using any of the supported network protocols.

Modbus Configuration Procedure

Use this topic to configure the Digi One/PortServer TS 2/4 for use in a Modbus environment from the web-based configuration wizard.

1. Access the Digi One/PortServer TS 2/4 from a web browser by entering the Digi device's IP address in the URL window.
2. Sign on as root. The default password is dbps.
3. From the main menu, choose Setup Wizards > Industrial Protocols.
4. Use the wizard and the context-sensitive help to complete configuration tasks. Here are a few tips:
 - Configure the serial port for the serial communication parameters (baud rate, data bits, parity and stop bits) required by the connected IA device.
 - Choose Modbus ASCII or Modbus RTU as the serial port protocol, depending on the requirements of the IA device connected to the port.
 - If you configure the port for a slave, you do not have to configure a network-based master. Communication with the master just works. (If the master is connected to a serial port, it must be configured, however.)
 - If you configure a port for a master and the slaves are located on the network, TCP sockets, UDP sockets, and Modbus/TCP are all supported. Use the protocol required by the master.

Configuring the User-Defined Protocol

About the User-Defined Protocol

Digi One\PortServer TS 2/4 MEI devices support what Digi calls the “user-defined” protocol, which is any IA serial-port protocol with the following attributes:

- All message packets are bounded by fixed header and trailer strings.
- Each protocol request is followed by a single response.

Modbus Configuration Procedure

Use this topic to configure the Digi One/PortServer TS 2/4 to use the user-defined IA protocol.

1. Access the Digi One/PortServer TS 2/4 from a web browser by entering the Digi device's IP address in the URL window.
2. Sign on as root. The default password is dbps.
3. From the main menu, choose Setup Wizards > Industrial Protocols.
4. Use the wizard and the context-sensitive help to complete configuration tasks. Here are a few tips:
 - Configure the serial port for serial communication parameters (baud rate, data bits, parity and stop bits) required by the connected IA device.
 - Choose User-defined as the serial-port protocol.
 - If you configure the port for a slave, you do not have to configure a network-based master. Communication with the master just works. (If the master is connected to a serial port, it must be configured, however.)
 - If you configure a port for a master and the slaves are located on the network, TCP sockets and UDP sockets are supported options.

In This Chapter

This chapter describes Digi One/PortServer TS 2/4 security features and discusses how to configure them. It presents the following topics:

Controlling Access to the Configuration	64
Controlling Access to Inbound Ports	65
Controlling Access to Outbound Ports	65
Controlling Access to the Command Line.....	66
Issuing User Passwords	66
Configuring SSH Version 2 for Secure Communication.....	67
Controlling Access to Services	68

Controlling Access to the Configuration

Digi One/PortServer TS 2/4 restricts access to the configuration by defining the following types of users:

- The root user, who has unlimited access to Digi One/PortServer TS 2/4 commands. He or she can view any configuration table and change any configuration parameter. The root is identified by the user name root and must supply a password to be authenticated. The default root password is dbps. You should change this password immediately.
- Regular users, who have much more restricted access to Digi One/PortServer TS 2/4 commands. Regular users can view some configuration tables and can change some configuration parameters related to their own sessions and passwords. See the *Digi One/PortServer TS Command Reference* for information on the limitations placed on regular users for each command.

Controlling Access to Inbound Ports

This section describes methods of controlling access to inbound serial ports. An inbound port is one defined on the `dev` field of the `set ports` command for one of the following device types:

- `term` (used to define terminal connections)
- `min` (used to define incoming modem connections)
- `mio` (used to define bi-directional modem connections)
- `hdial`, `hio` (used to define computer connections)

Default Access Restrictions

The default configuration for inbound ports is that a login and password are required to access them.

Options for Removing Access Restriction

The login and password requirement for inbound ports can be changed by configuring

- The port so that it does not require a login and password. In this case, no one is required to supply a login or password.
- Specific users so that they do not require a password. In this case, some users do not supply passwords, and others are required to.

Procedure for Changing a Port's Access Requirements

To configure a port so that no one has to login or specify a password, supply a `set logins` command that specifies the following:

```
set logins range=range login=off passwd=off
```

Example: `set logins range=1-2 login=off passwd=off`

Procedure for Changing a User's Access Requirements

To configure a user so that he or she does not have to specify a password when accessing an inbound port, supply a `set user` command that specifies the following:

```
set user name=name password=off
```

where *name* is a name to identify the user

Example: `set user name=user1 password=off`

Controlling Access to Outbound Ports

This section describes methods for controlling access to outbound serial ports. An outbound port is one defined on the `dev` field of the `set ports` command for one of the following device types:

- `prn` (used to define printer connections)
- `mout` (used to define outbound modem connections)
- `mio` (used to define bi-directional modem connections)
- `host` (used to define host connections)
- `ia`

Default Access

The default for outbound ports is unlimited access.

Restricting Access to Outbound Ports

Use the `set auth` command to restrict access to outbound ports. See the description of the `set auth` command in the *Digi One/PortServer TS Command Reference* for more information.

CHAP Authentication for PPP Users

CHAP authentication can be used to restrict PPP user access to outbound ports. For more information on CHAP configuration, see the `set user` command in the *Digi One/PortServer TS 2/4 Command Reference*.

Controlling Access to the Command Line

This section describes how to restrict access to the Digi One/PortServer TS 2/4 command line.

Method 1 Autoconnection

The autoconnection feature allows you to configure a user to access the Digi One/PortServer TS 2/4 but then be automatically connected to a host on the LAN.

You can implement autoconnection in the following ways:

- By port. In this case, all port users are automatically connected to the same host. The Digi One/PortServer TS 2/4 is completely transparent to them.
- By user. In this case, a user is required to login and may be required to supply a password, but once the user is authenticated, an automatic connection to a hosts made.

For information on configuring autoconnection, see "Configuring Autoconnection" on page 28.

Method 2: Menus

Menus select destination systems without having to access the Digi One/PortServer TS 2/4 command line. For information on configuring menus, see the description of the `set menu` command in the *Digi One/PortServer TS Command Reference*.

Issuing User Passwords

This section discusses how to issue user passwords.

Related Information

See the `newpass` and `set user` commands in the *Digi One/PortServer TS Command Reference*.

Starting Point

This procedure assumes that you have signed on as root and already configured the user to whom you will be issuing a password.

Procedure

1. Issue a `newpass` command that identifies the user (on the name field) to whom this password will be issued.
2. When the system prompts you for a new password, type in the password and then press Enter.

3. When the system prompts you to enter the new password again, type it in and then press Enter.

Example

In this example, the `newpass` command initiates a dialog with Digi One/PortServer TS 2/4 that results in the user being assigned a password.

```
newpass name=edm1001
```

Configuring SSH Version 2 for Secure Communication

This section discusses how to configure a user for SSH version 2 encryption.

Note: Only PortServer TS 8/16 supports SSH version 2 on a server.

This feature is only available for the following devices.

Device	Required Hardware	Required Firmware
Digi One TS	50000771-01A or higher	82000747a or higher
PortServer TS 2	50000771-02A or higher	
PortServer TS 4	50000771-03A or higher	

Password Protection

To configure simple password authentication for an SSH user, no SSH-specific configuration is required. Simply configure a user by entering the following commands:

```
set user name=name password=on
```

```
newpass name=name
```

where *name* is a user name

Example

```
set user name=ssh-user1
```

```
newpass name=ssh-user1
```

Using a Public Key

To enable public key authentication and to associate a public key with a user, enter the following command:

```
set user name=name loadkey=host:key
```

where

- *name* is the name of a user
- *host* is either an IP address or DNS name of a host running TFTP that holds
- *key* is the name of a file that contains the DSA public key. If your host's implementation requires a complete path to the file, specify the path here as well.

Example: `set user name=secure loadkey=143.191.2.34:ssh-file`

Making Reverse SSH Connections to Ports

The convention used to identify a port for a reverse SSH connection to a Digi device is to use 2500 + the port number. See the examples that follow for more information.

Example: Reverse SSH Connection to Port 1

```
ssh 192.1.2.3 2501
```

Example: Reverse SSH Connection to Port 4

```
ssh 192.1.2.3 2504
```

Controlling Access to Services

This section describes how to disable services, such as Telnet and Rlogin, for inbound users, which means that they cannot access the Digi device using those services. This feature allows you to turn off individual services or to specify a security level, which means that all services not included in that level are turned off.

Services that Can Be Turned Off

The following services can be turned off.

- HTTP
- RealPort
- Reverse TCP
- Reverse Telnet
- Remote login
- Remote shell
- SNMP
- SSH
- Telnet

Service Levels

These are the secure access levels:

- Secure, which means that SSH is the only service available to inbound users
- High, which means that SSH, HTTP, SNMP, and RealPort services are available to inbound users
- Normal, which means all services are available
- Custom, which means you can select services to turn off.

The default service level is normal, which means that all services are available.

Procedure

Use this topic for information on using the web interface to turn services off.

1. Access the Digi One/PortServer TS 2/4 from a web browser by entering the Digi device's IP address in the URL window.
2. Sign on as root. The default password is dbps.
3. From the main menu, choose Secure Access.
4. Use the wizard to disable services that you do not want to make available to inbound users. Use the context sensitive help for information on configuration fields.

Chapter 14

Configuring DNS

In This Chapter

This chapter discusses how to configure Digi One/PortServer TS 2/4 to use DNS. Topics discussed include the following:

About the Domain Name System	69
Configuration Procedures	70

About the Domain Name System

This section discusses key concepts of the domain name system.

Purpose of DNS

The domain name system maps domain names to information associated with these names, such as IP addresses.

DNS Components

DNS components include:

- A distributed database consisting of domain names and associated information
- A hierarchical system of domain name servers that maintain the database and use it to respond to requests for information about a particular domain name, such as its IP address
- Domain name resolvers that
 - Accept requests from users
 - Satisfy information requests by building and submitting properly formulated queries to one or more name servers or by retrieving information from a local host file
 - Return information to users
 - Cache information for future use

Types of Name Servers

There are two types of name servers in the domain name system:

- Local servers maintain information for resources within a local zone. It is up to individual network administrators to determine the scope of a local zone.
- Root servers maintain information in higher-level domains than do local servers.

Typically, when a user requires information about a domain name, the resolver queries a local server. If local servers cannot provide the information, root servers are queried next.

Naming Conventions

Each node in the domain name system has a globally unique domain name that consists of its own name, which is called a label, and the labels of all superior nodes.

DNS Name Example

Here is an example of a domain name. Note that labels are separated by periods:

mn07.amalgamated.com

In this example, mn07 is part of the higher-level domain called amalgamated.com.

Configuration Procedures

Procedure for Using a Name Server

To configure a DNS server, enter the following command:

```
set config domain=domain myname=name dns=ip-address
```

where

- *domain* is the domain in which the Digi One/PortServer TS 2/4 will reside
- *name* is a DNS name for Digi One/PortServer TS 2/4
- *ip-address* is the IP address of a name server

Example: `set config domain=digi.com myname=poe dns=204.221.1.4`

Procedure for Using a Host File

Use this section to configure the host table, which maps IP addresses to host names.

Enter the following command

```
set host name=name ip=ip-address
```

where

- *name* is the name the host
- *ip-address* is the IP address of the host

Example

In this example, three IP address-to-name mappings are configured

```
set host name=poe ip=204.221.110.200
```

```
set host name=gary ip=204.221.110.202
```

```
set host name=toni ip=204.221.110.203
```

Chapter 15

Configuring SNMP

In This Chapter

This chapter describes how to configure the Digi One/PortServer TS 2/4 SNMP agent. It discusses the following topics:

About SNMP and the Digi One/PortServer TS 2/4 Agent	71
Configuration Procedure: Web Interface	72

About SNMP and the Digi One/PortServer TS 2/4 Agent

This section introduces SNMP and network management in TCP/IP networks, and it describes the Digi One/PortServer TS 2/4 agent. It discusses the following:

- Network management components
- The SNMP agent
- SNMP traps
- The Digi One/PortServer TS 2/4 agent's MIB support
- The Digi One/PortServer TS 2/4 agent's supported traps

Network Management Components

The TCP/IP network management architecture contains the following components:

- Managed nodes such as host systems, routers, terminal and communications servers (such as Digi One/PortServer TS 2/4) and other network devices
- One or more network managers (also called network management stations), which are the points from which the network is managed
- Agents that reside on managed nodes and retrieve management information and communicate this information to network managers
- The network management protocol, SNMP, which governs the exchange of information between the nodes and stations
- Management information, which is the database of information about managed objects. This database is called the management information base (MIB).

SNMP Management Agent

Each managed node contains at least one agent—a component that responds to requests from the network manager—that retrieves network management information from its node and notifies the manager when significant events occur.

SNMP Traps

A mechanism defined by SNMP is called a trap, which is a report or “alarm” from a managed node to an SNMP manager that a significant event has occurred.

MIB Support

The agent supports the following MIBs:

- Read-write for MIB II (RFC 1213), which is an Internet-standard MIB, consisting of managed objects from the systems, interfaces, IP, ICMP, TCP, UDP, transmission, and SNMP group
- Read-write for the character-stream devices using SMIV2 MIB (RFC 1658)
- Read-write for the RS-232-like hardware devices MIB (RFC 1659)
- Read-write for the Digi One/PortServer TS 2/4 IP Network Control Protocol of the Point-to-Point Protocol MIB (RFC 1473)

Message Support

The SNMP agent supports the Set, Get, GetNext, and Trap messages as defined in RFC 1157. These messages are used as follows:

- Set, which means set the value of a specific object from one of the supported MIBs
- Get, which means retrieve the value of a specific object from one of the supported MIBs
- GetNext, which means retrieve the value of the next object in the MIB
- Trap, which means send traps to the manager when a particular type of significant event occurs

Supported Traps

The agent can send traps when any of the following occur:

- Cold starts (Digi One/PortServer TS 2/4 initializes)
- Authentication failures
- Login attempts

Configuration Procedure: Web Interface

1. Access the web interface by entering the Digi One/PortServer TS 2/4 IP address in a browser’s URL window.
2. Log in to the Digi One/PortServer TS 2/4 as root.

The default password is dbps, which should be changed. See the `newpass` command in the *Digi One/PortServer TS Command Reference* for information on changing passwords.

3. Select Configure and then SNMP from the menu.
4. Fill in the configuration fields and then press Submit.

Chapter 16

Configuring Users

In This Chapter

This chapter discusses how to configure users. It covers the following topics:

About Configuring Users	73
Common User Features	74
Configuring a User: Web Interface	74
Configuring a User: Command Line Examples	75

About Configuring Users

Although it is not required, the Digi One/PortServer TS 2/4 is often configured to accommodate the requirements of particular users. Typical configurable user attributes include the following:

- Whether the user is required to supply a password
- Autoconnection attributes, such as the system to which the user should be automatically connected at login
- The interface the device presents the user, such as a menu or command line
- Whether the user has access to outbound ports

Note: For information on configuring PPP users, see "Configuring PPP" on page 34.

Configuration Methods

You can configure users in the following ways:

- With the set user command. See the set user command in the *Digi One/PortServer TS Command Reference*.
- With the web interface.

Common User Features

This section discusses common user-related features. For a complete list, see the set user command in the *Digi One/PortServer TS Command Reference*.

Feature	Description	set user Field
auto connect	Automatically connects the user to the host specified on the autohost field using the service (TCP port) defined on the autoport or autoservice fields. Autoconnection can also be implemented by port instead of by user. This feature is configurable from the web interface.	autoconnect autohost autoport autoservice
Default access type	Defines the type of access the user is restricted to. Menu, command line, autoconnect, and outgoing and netservice are the types. This feature is configurable from the web interface.	defaultaccess
Menu access	Defines the menu that is to be presented to a user with menu access. This feature is configurable from the web interface.	menu
Port access	Defines the number of outbound ports a user connected over the LAN can access at one time. This feature is not configurable from the web interface.	maxsessions
PPP	Defines PPP-related parameters for the user.	There are too many fields to list here. See the set user command for more information.
Routing updates	Defines whether RIP routing updates are forwarded over the link to this user.	netrouting

Configuring a User: Web Interface

Use this section to configure users with from the web interface.

1. Access the web interface by entering the Digi One/PortServer TS 2/4 IP address in a browser's URL window.
2. Log in to the Digi One/PortServer TS 2/4 as root.
The default password is dbps.
3. Select Configure and then Users from the menu.
4. To add a user, do the following:
 - a. Choose Add User.
 - b. Enter a name and then choose Submit
 - c. Choose the new user from the Name column.
 - d. Configure the user as required.
 - e. Choose Submit.
5. To return to the main User menu, choose User from the Menu again.

Configuring a User: Command Line Examples

This section consists of a set of examples that tell you how to use the set user command to configure various user attributes.

Configuring a User for a Password

In this example, the set user command configures a new user. The newpass command then initiates a dialog with the Digi One/PortServer TS 2/4 to assign a password to the new user.

```
set user name=jsmith
  newpass name=jsmith
```

Configuring a User for a Menu

In this example, the user is configured to use a menu, which is identified by a menu-table index number. If the menu has not been configured, the Digi One/PortServer TS 2/4 will generate a warning message, but the user will be configured to use the menu, which can then be created later.

```
set user name=jsmith defaultaccess=menu menu=4
```

Configuring a User for Autoconnect

In this example, the user is configured to do the following

- Automatically connect to the host identified on the autohost field
- Connect using Telnet

```
set user name=jsmith autoconnect=on defaultaccess=autoconnect
  autohost=191.143.2.17 autoservice=telnet
```

Displaying an Entry in the User Table

This example assumes that the user named jsmith has already been created, in which case attributes for jsmith are displayed. If the user did not already exist, this command would create a new user named jsmith that uses all default attributes.

```
set user name=jsmith
```

Removing a User from the User Table

In this example, a user is removed from the user table.

```
remove user name=martymertz
```

Chapter 17

Managing the OS and Configuration

In This Chapter

Upgrading the Firmware	76
Copying the Configuration to and from a Remote Host	77
Resetting the Configuration to Defaults	78

Upgrading the Firmware

This section describes how to upgrade the firmware, which can be done from the web interface using HTTP or FTP.

Prerequisite Task

Note: When upgrading from a firmware release prior to 82000716_B , the POST code must be upgraded first. To determine your current firmware release, issue the `set config` command. If you need to upgrade the POST code first, here is how you do it:

1. Download the POST code from the Digi web site to a server running TFTP.
2. To load the new POST code, issue the following command:

```
boot load-post=tftp-server-ip:filename
```

where *tftp-server-ip* is the IP address of the TFTP server and *filename* is the POST file.

Example: `boot load-post=143.21.10.5:82000679_C1`

3. Reboot the Digi device.

When the Digi device reboots, it is ready for new firmware.

HTTP Upgrade Procedure

1. Download a copy of the latest firmware from the Digi International web site, digi.com.
2. Access the web interface by entering the Digi device IP address in a browser's URL window.
3. Log in to the Digi device as root.

The default password is dbps.

4. From the main menu, choose Admin > HTTP Upgrade.
5. Navigate to the firmware and then choose Submit.
6. Reboot at the prompt.

TFTP Upgrade Procedure

1. Download a copy of the latest Digi device firmware from the Digi International web site, digi.com, and copy it to a host running TFTP.
2. Access the web interface by entering the Digi device IP address in a browser's URL window.
3. Log in to the Digi device as root.

The default password is dbps.

4. From the main menu, choose Admin > TFTP Upgrade.
5. Supply the name of the firmware file, the IP address of the TFTP server, and then choose Submit.
6. Follow the prompts to complete the upgrade.

Command Line

If you want to use the command line to upgrade firmware, use the boot command. See the *Digi One/PortServer TS Command Reference* for more information.

Copying the Configuration to and from a Remote Host

This section discusses copying the configuration to a remote host and from a remote host, which means you can configure the Digi device remotely by entering commands in a text file and then copying the file to the Digi device.

When To Use Remote Configuration

Typically, you use remote configuration when you have several Digi devices with similar configurations and want to keep a master configuration on a remote host, from which you can easily create variations for downloading to individual Digi devices.

Rules for Editing a Configuration file

Here are some rules for editing a configuration file on a remote host:

- Edit the file with any text editor.
- Each line of the file must start with a set command, such as set user or set line. In other words, do not let commands wrap to the next line if your editor supports this function.

HTTP Procedure

1. Access the web interface by entering the Digi device IP address in a browser's URL window.
2. Log in to the Digi device as root.

The default password is dbps.

3. From the main menu, choose Admin > HTTP CpConf.
4. To copy a file from the host you are on do the following:
 - a. Choose Browse, select the file, and then choose Submit.
 - b. Follow the prompts to complete this procedure.
5. To copy a file to a remote host, do the following:
 - a. Right click on the Download current config link.
 - b. Choose Save Target as
 - c. Specify a file name and then choose Save.
6. Follow the prompts to complete this task.

TFTP Procedure

1. Ensure that TFTP is running on the remote host.
2. Access the web interface by entering the Digi device IP address in a browser's URL window.
3. Log in to the Digi device as root.

The default password is dbps.

4. From the main menu, choose Admin > TFTP CpConf.
5. Choose either Copy configuration to a TFTP server or Copy configuration from a TFTP server.
6. Specify an IP address and a file name and then choose Submit.
7. Follow the prompts to complete this task.

Command Line

If you want to use the command line to copy the configuration to and from a remote host, use the cpconf command. See the *Digi One/PortServer TS Command Reference* for more information.

Resetting the Configuration to Defaults

Use this topic for information on using the revert command to reset the configuration to factory defaults stored in NVRAM.

Note: You can also use the range field on this command to define a range of ports with the serial, port, line, flow, keys and login options.

To Reset the ...	To factory defaults specify ...	To the latest version in NVRAM specify...
Entire configuration	revert all=factory	revert all=nvram
altip configuration	revert altip=factory	revert altip=nvram
arp configuration	revert arp=factory	revert arp=nvram
auth configuration	revert auth=factory	revert auth=nvram
set config configuration	revert config=factory	revert config=nvram
set flow configuration	revert flow=factory	revert flow=nvram
set host configuration	revert host=factory	revert host=nvram
set keysconfiguration	revert keys=factory	revert keys=nvram
set line configuration	revert line=factory	revert line=nvram
set logins configuration	revert login=factory	revert login=nvram
menu configuration	revert menu=factory	revert menu=nvram
IA	revert ia=factory	revert ia=nvram
altip, arp, host, route, snmp, tcpip, and telnetip	revert network=factory	revert network=nvram
set ports	revert port=factory	revert port=nvram
Routing	revert routed=factory	revert routed=nvram
set auth, set logins, and set radius	revert security=factory	revert security=nvram
set flow, set line, set ports	revert serial=factory	revert serial=nvram
set service	revert service=factory	revert service=nvram
SNMP configuration	revert snmp=factory	revert snmp=nvram
set config, set keys, set menu, set service, set terms, set trace, and set user	revert system=factory	revert system=nvram
set tcpip	revert tcpip=factory	revert tcpip=nvram
set telnetip	revert telnetip=factory	revert telnetip=nvram
set terms	revert terms=factory	revert terms=nvram
Trace settings	revert trace=factory	revert trace=nvram
set user	revert users=factory	revert users=nvram

Chapter 18

Configuration Examples

This chapter provides several simple, but complete, configuration examples. If you find that the examples implement exactly the features needed for your network, simply copy them, making appropriate substitutions for site-specific information such as IP addresses. Quite likely, however, you will be able to use the examples as a starting point only and will need the information provided in other chapters in this manual and in the *Digi One/PortServer TS Command Reference* to complete your configuration.

In This Chapter

This chapter provides the following discussions:

Terminal Server Configuration Without RealPort	81
Terminal Server Configuration Using Autoconnection	82
Terminal Server Configuration Using RealPort	83

Terminal Server Configuration Without RealPort

In this configuration, Digi One/PortServer TS 2/4 acts as a terminal server, providing Telnet and Rlogin access to hosts. This configuration enables the following:

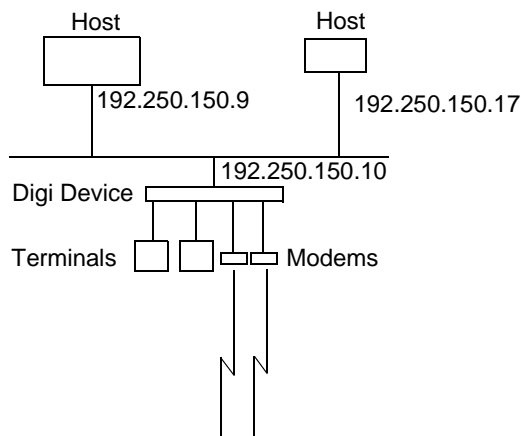
- Telnet or Rlogin access to the LAN-based hosts, both from locally-connected terminals and from devices accessing the LAN from the telephone network
- Access for LAN-based hosts to Digi One/PortServer TS 2/4 ports (sometimes called reverse Telnet)

Related Information

For more information on configuring

- The Ethernet interface, see "Configuring the IP Address" on page 11.
- Terminal connections, see "Configuring Ports for Terminals and Computers" on page 25.
- Modem connections, see "Configuring Ports for Modems" on page 21.

Illustration



Configuration

```
set config ip=192.250.150.10 submask=255.255.255.0 (1)
set ports range=1-2 dev=term
set line range=1-2 baud=9600
set flow range=1-2 ixon=on ixoff=on (2)
set ports range=3-4 dev=mio
set line range=3-4 baud=115200
set flow range=3-4 ixon=off ixoff=off rts=on cts=on (3)
set user name=user1(4)
```

Configuration Notes

1. The set config command configures the IP address and mask for the Ethernet interface.
2. The first set ports, set line, and set flow commands configure ports 1 and 2 for terminal connections.
3. The next set ports, set line and set flow commands configure ports for bidirectional modems. Software flow control (the default) is shut off and hardware flow control turned on using the set flow command.
4. The set user command defines a user, which assigns a user name for login purposes. All Digi One/PortServer TS 2/4 users can login with this name.

Terminal Server Configuration Using Autoconnection

This example shows a Digi One/PortServer TS 2/4 acting as a terminal server implementing autoconnection.

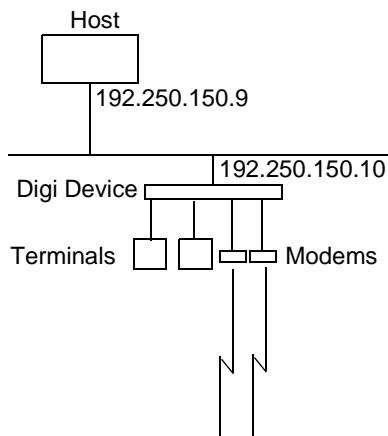
- The terminals are connected to autoconnect ports. Consequently, when a user presses a terminal key, an automatic connection to a host is made.
- The modem ports are not configured for autoconnection, but a port user is, which means that as soon as this particular user supplies a login, an automatic connection to a host is made.

Related Information

For more information on configuring

- The Ethernet interface, see "Configuring the IP Address" on page 11.
- Terminal connections, see "Configuring Ports for Terminals and Computers" on page 25.
- Modem connections, see "Configuring Ports for Modems" on page 21.

Illustration



Configuration

```
set config ip=192.250.150.10 submask=255.255.255.0
set ports range=1-2 dev=term auto=on dest=192.250.150.9 dport=23
set line range=1-2 baud=9600
set flow range=1-2 ixon=on ixoff=on (1)
set ports range=3-4 dev=min
set line range=3-4 baud=115200
set flow range=3-4 ixon=off ixoff=off rts=on cts=on(2)
set user name=user1 autoconnect=on defaultaccess=autoconnect
  autohost=192.250.150.9 autoport=23 password=off (3)
```

Configuration Notes

1. The first set of set ports, set line and set flow commands configure ports 1 and 2 for terminals, autoconnection, Telnet (dport=23), and software flow control.
2. The second set ports, set line, and set flow commands set up ports 3 and 4 for incoming modem connections and RTS/CTS flow control.
3. The set user command configures the user for automatic connection to the host specified on the autohost field using Telnet (autoport=23).

Terminal Server Configuration Using RealPort

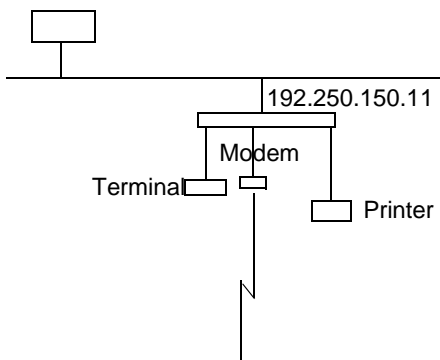
In this example, the Digi One/PortServer TS 2/4 is simply providing ports for the LAN-based host using RealPort. The configuration is exceedingly simple because port attributes are configured on the host itself.

Related Information

For more information on configuring:

- The Ethernet interface, see "Configuring the IP Address" on page 11
- RealPort, see "Configuring Ports for RealPort" on page 15

Illustration



Configuration

```
set config ip=192.250.150.11 submask=255.255.255.0 (1)
set ports range=2-4 dev=rp(2)
```

Configuration Notes

1. The set config command configures the internet address and mask for Digi One/PortServer TS 2/4 Ethernet interface.
2. The set ports command configures ports 2, 3, and 4 for Realport. This command specifies dev=rp, which is an appropriate device type for RealPort.

Chapter 19 **Digi One/PortServer TS 2/4 Troubleshooting**

In This Chapter

This chapter describes how to troubleshoot the Digi One/PortServer TS 2/4. It discusses the following topics:

Symptom: Digi One/PortServer TS 2/4 Does Not Boot	85
Symptom: Cannot Telnet to the Digi One/PortServer TS 2/4	85
Symptom: Trouble Accessing a Port	86
Running Digi One/PortServer TS 2/4 Customer Diagnostics	86
Key to Interpreting Digi One/PortServer TS 2/4 LEDs.....	87
Verifying TFTP on a UNIX System	87
Troubleshooting TFTP Problems.....	88
Resetting Digi One/PortServer TS 2/4 Configuration to Defaults	89
Verifying the Digi One/PortServer TS 2/4 IP Address.....	89
Checking for Duplicate IP Addresses	90
Pinging an IP Address.....	90
Verifying the Network Cabling	90
Verifying the RealPort Process.....	91
Checking and Changing Port Configuration.....	93
Digi Contact Information.....	94

Symptom: Digi One/PortServer TS 2/4 Does Not Boot

Introduction

Use the information provided in this discussion when Digi One/PortServer TS 2/4 will not complete the boot cycle.

Procedures

Things to Try	See ...
Check for hardware problems.	<ul style="list-style-type: none"> "Running Digi One/PortServer TS 2/4 Customer Diagnostics" on page 85 "Key to Interpreting Digi One/PortServer TS 2/4 LEDs" on page 86
Check for TFTP problems if Digi One/PortServer TS 2/4 is booting from a TFTP host.	<ul style="list-style-type: none"> "Verifying TFTP on a UNIX System" on page 86 "Troubleshooting TFTP Problems" on page 87
Resetting the device to configuration defaults.	"Resetting Digi One/PortServer TS 2/4 Configuration to Defaults" on page 88
If you cannot resolve the problem, contact Digi.	"Digi Contact Information" on page 93

Symptom: Cannot Telnet to the Digi One/PortServer TS 2/4

Introduction

Use the information provided in this discussion to troubleshoot network problems.

Assumptions

This discussion assumes that the Digi One/PortServer TS 2/4 itself is working, that is, that it completes the boot cycle.

Procedures

Things to Try	See ...
Verify the IP address. This procedure ensures that you are using the right IP address to Telnet to the Digi One/PortServer TS 2/4.	"Verifying the Digi One/PortServer TS 2/4 IP Address" on page 88
Check for duplicate IP address. This procedure ensures that two devices are not using the same IP address.	"Checking for Duplicate IP Addresses" on page 89
See if you can ping the IP address. If you can ping the address, but cannot Telnet to it, you probably have a firewall problem. See the Firewall documentation for more information.	"Pinging an IP Address" on page 89
Verify the network cabling.	"Verifying the Network Cabling" on page 89
If you cannot resolve the problem, contact Digi.	"Digi Contact Information" on page 93

Symptom: Trouble Accessing a Port

Introduction

Use this procedure if you are having trouble accessing a Digi One/PortServer TS 2/4 port. The specific problem might be that you cannot logon from a terminal or the printer or modem is not working properly.

Assumptions

This discussion assumes the following:

- That the Digi One/PortServer TS 2/4 itself is working, that is, that it completes the boot cycle. If it is not, see "Symptom: Digi One/PortServer TS 2/4 Does Not Boot" on page 84.
- That the network is working. This is a relevant consideration if the ports you are working with are RealPort ports and if all RealPort ports are not working. The discussion in "Symptom: Cannot Telnet to the Digi One/PortServer TS 2/4" on page 84 goes through the steps of validating the network connection.

Procedures

Things to Try	See ...
If this is a RealPort port and all ports are not working, ensure that the RealPort process is running.	"Verifying the RealPort Process" on page 90
Verify Digi One/PortServer TS 2/4 port settings.	Check the port configuration in the <i>Digi One/PortServer TS 2/4 Command Reference</i> . Look under the set ports, set line, and set flow commands for more information.
Verify the cabling to the peripheral	See the Cable Guide for information.

Running Digi One/PortServer TS 2/4 Customer Diagnostics

Use this topic to run hardware diagnostic procedures to validate the Digi One/PortServer TS 2/4.

1. Connect a terminal to a Digi One/PortServer TS 2/4 port.
2. Configure the terminal to use the following settings:
 - VT-100 emulation
 - 9600 baud
 - 8-bit characters
 - 1 stop bit
 - No parity
3. Reboot the Digi One/PortServer TS 2/4.
4. While the LED is blinking, press the v key while simultaneously depressing and holding the reset button.
5. When the Customer Diagnostics Menu appears, select a test to perform.

Key to Interpreting Digi One/PortServer TS 2/4 LEDs

Here is a key to interpreting Digi One/PortServer TS 2/4 LEDs

Procedure

LED Activity	Indication
1-1-1 pattern	Starting the EOS.
1-3-1 pattern	TFTP boot process started
1-5-1 pattern	Tells you that configuration has been return to the factory configuration. See "Resetting Digi One/PortServer TS 2/4 Configuration to Defaults" on page 88.
Steady blinking	Device seeking an IP address from DHCP server.
Solid	On Digi One RealPort and PortServer TS 2/4 devices, this means the boot completed sucessfully. On Digi One IA devices, it indicates a problem.

Verifying TFTP on a UNIX System

Use this procedure to verify that TFTP is working correctly on your UNIX host.

Note: This procedure, which uses a TFTP transfer of the Digi Device's boot image between two UNIX hosts, enables you to compare the size of the boot image before and after it is transferred, enabling you to determine if TFTP is working properly.

Procedure

1. Access a root prompt on the UNIX host.
2. Make sure that you are not in the /tftpboot directory.
3. Enter this command:

```
tftp ipaddress
```

where *ipaddress* is the IP address of the UNIX host.

A TFTP prompt appears.

4. At the prompt, enter the following command:

```
binary
```

5. Enter this command at the TFTP prompt:

```
get tftp_file_name
```

where *tftp_file_name* is the name of the Digi Device's boot image in the /tftpboot directory.

6. Enter this command at the TFTP prompt to exit TFTP:

```
quit
```

7. Compare the size of the original file against the transferred file using this command:

```
cmp -l tftp_file_name /tftpboot/tftp_file_name
```

If the data within the files to see if TFTP is working properly. If they are the same, no message will be generated.

Troubleshooting TFTP Problems

Here are some things to check if you encounter TFTP problems.

- Verify that the /tftpboot directory exists and has read, write and execute (777) permissions with this command:

```
ls -l /tftpboot
```

If necessary, use this command to create the directory:

```
mkdir /tftpboot
```

- If necessary, use this command to change permissions of the directory to read, write and execute:

```
chmod 777 /tftpboot
```

- Verify that the file /tftpboot/tftp_file_name exists and has read and execute permissions with this command:

```
ls -l /tftpboot/tftp_file_name
```

where *tftp_file_name* is the name of the firmware boot image specified by the Digi Device.

If necessary, use this command to change permissions of the file to read and execute:

```
chmod 666 /tftpboot/tftp_file_name
```

- Verify that the inetd.conf file is properly configured for tftp by displaying the file /etc/inetd.conf.

An entry similar to this should be uncommented:

```
tftp dgram udp something
```

where *something* will vary with each operating system.

For controlled TFTP access, make sure that the file /etc/tftpaccess.ctl exists and verify that it only allows access to public directories. If this file is not present, tftp will allow full access. A sample file is located in the directory /usr/lpp/tcpip/samples.

- Restart the inetd process with these two commands:

```
ps -ef | grep inetd
```

This will report back the inetd process number.

```
Kill -1 inetd_PID
```

Where *inetd_PID* is the process number for the inetd process reported by the previous command.

Resetting Digi One/PortServer TS 2/4 Configuration to Defaults

Use this topic to reset the Digi One/PortServer TS 2/4 configuration to defaults.

Note: This procedure causes the Digi One/PortServer TS 2/4 to lose all configuration changes. If you have a complex configuration, contact Digi before performing for information on saving your configuration. See "Digi Contact Information" on page 93 for information.

Procedure

1. Use a pen, the point of a paper clip, or some other device to press the recessed button on the front panel.
2. While holding down the button, power on the Digi One/PortServer TS 2/4.
3. When the 1-5-1 LED pattern is displayed, release the button.

The device boots up.

Verifying the Digi One/PortServer TS 2/4 IP Address

Use this procedure to check the IP address on the Digi One/PortServer TS 2/4.

1. Connect a terminal to a Digi One/PortServer TS 2/4 port.
2. If the port is still using the default configuration, configure the terminal to use the following settings (Otherwise, configure the terminal to match the port configuration):
 - VT-100 emulation
 - 9600 baud
 - 8-bit characters
 - 1 stop bit
 - No parity
3. Press Enter to get a logon prompt from the Digi One/PortServer TS 2/4.
4. Log on to the Digi One/PortServer TS 2/4.
5. Use the set config command to verify the Digi One/PortServer TS 2/4 IP address.

Checking for Duplicate IP Addresses

Use this procedure to ensure that the Digi One/PortServer TS 2/4 and another device are not using the same IP address.

1. From another system on the network, use the ping command to determine if the IP address is in use. The following is the command syntax:

```
ping ip-address
```

2. Do one of the following:
 - If there is no response to the ping, exit this procedure and return to the symptoms section of this section. Two devices using the same IP address is probably not a problem.
 - If there is a response, continue with this procedure.
3. Turn the Digi One/PortServer TS 2/4 off and then ping again.
4. Do one of the following:
 - If there is a response to the ping, there is another device using that IP address, so assign one of the devices a new IP address.
 - If there is no response, turn the Digi One/PortServer TS 2/4 back on. Another device is not using the IP address assigned Digi One/PortServer TS 2/4.

Pinging an IP Address

Use this procedure to determine if a system can be reached from across a network.

Attempt to ping the Digi One/PortServer TS 2/4 from another system on the network. Here is the format of the command:

```
ping ip-address
```

Verifying the Network Cabling

Use this procedure to troubleshoot network cabling problems.

1. Check the Ethernet cable. Verify the following:
 - The Ethernet cable is connected securely at both ends.
 - The Ethernet cable is pinned correctly.
 - The quality of the cable is sufficient for the cable length and the cable environment. Consult an Ethernet cable manufacturer for a recommended cable for your configuration.
2. Verify your Ethernet hub. See your Ethernet hub manual.

Verifying the RealPort Process

Use one of these procedures to verify the RealPort process:

AIX: Verifying the RealPort Process

Use this topic to verify that the RealPort daemon (process) is running on the AIX system.

1. Type the following:

```
lsdev -Cc nts
```

2. If the sa devices are not in an available state, type the following from the AIX prompt:

```
mkdev -l sa#
```

```
cfgmgr
```

where # is the number of the Digi Device.

HP-UX: Verifying the RealPort Process

1. Verify that RealPort is running on the HP-UX operating system by entering:

```
ps ef | grep drp
```

If you see an entry for each Digi Device similar to the following, the RealPort process is running.

```
root 2254 1 0 Dec 13 ? 0:03/sbin/drpd 1 199.86.0.1 root 2049 1 0 Dec
13 ? 0:01/sbin/drpd 1 199.86.5.1
```

2. If the daemon is not running, enter this command at a root prompt:

```
/usr/sbin/drpadmin
```

3. Answer the prompts as appropriate.

Linux: Verifying the RealPort Process

The RealPort daemon (process) controls communication between the RealPort driver module and your Digi Devices across the network. One daemon must remain in the background for each Digi Device, maintaining the communication link. You should not need to start the daemon by hand. The `dgrp_cfg_node` program does this automatically.

However, to determine whether any RealPort daemons are currently running on your system, as well as to determine which Digi Device each daemon is communicating with, you can execute the following command:

```
ps ax | grep drpd
```

For more information about the RealPort daemon, see the `drpd` man page that is installed with the driver package.

SCO: Verifying the RealPort Daemon

Use this topic to verify that the RealPort daemon is running on a SCO Unix or SCO OpenServer operating system.

1. At the root prompt, enter the following command:

```
ps ef | grep ncxd
```

If the RealPort Daemon is running, you should see an entry for each Digi Device similar to the following?

```
root 2254 1 0 Dec 13 ? 0:03/etc/nexd -d /dev/cts0 -n
root 2049 1 0 Dec 13 ? 0:01/etc/nexd -d /dev/cts0 -n
```

2. If you do not see this information, restart the daemon by doing the following:
 - a. Modify the `/etc/rc2.d/S86ncxa` file with the appropriate IP addresses.
 - b. Reboot the server.

Solaris: Verifying the RealPort Process

Use this topic for information on verifying that the RealPort process is running on a Solaris system.

1. Type the following command:

```
ps -ef |grep ncxd
```

2. If the information that appears is not correct, do the following:
 - a. Modify the `/etc/rc2.d/S26realport` file with the appropriate IP addresses.
 - b. Reboot the UNIX server.

Windows NT: Verifying the RealPort Service

Use this procedure to verify the RealPort service on Microsoft Windows NT.

1. From the Start menu, choose Settings > Control Panel > Devices > Digi RealPort.
2. If the RealPort service has not been started, choose Start.

Windows 2000: Verifying the RealPort Service

Use this procedure to verify the RealPort service (process) on Microsoft Windows 2000.

1. Right-click on My Computer, choose Properties > Hardware tab > Device Manager.
2. Expand the Multi-port Serial Adapters list if necessary and select Digi PortServer.
3. If the RealPort Service (process) is not enabled, right-click and choose Enable.

Checking and Changing Port Configuration

Use this topic to ensure that Digi One/PortServer TS 2/4 serial port configuration is correct. You can display and change port configuration from either the command line or the web interface. This topic addresses the command line only. For information regarding the web interface, access the port from the web interface and then use the online help.

RealPort

- Specify `set ports dev=rp` to define a device type.
- Configure serial line attributes on the RealPort host.
- Configure flow control on the RealPort host.

Printer

- For most printers, specify `set ports dev=prn`.
- Use the set line command to configure serial line attributes that are consistent with peripheral requirements.
- Use the set flow command to configure flow control attributes that are consistent with peripheral requirements.

Incoming Modem

- For most incoming modem connections, specify `set ports dev=min`.
- Use the set line command to configure serial line attributes that are consistent with peripheral requirements.
- Use the set flow command to configure flow control attributes that are consistent with peripheral requirements.

Outgoing Modem

- For most outgoing modem connections, specify `set ports dev=mout`.
- Use the set line command to configure serial line attributes that are consistent with peripheral requirements.
- Use the set flow command to configure flow control attributes that are consistent with peripheral requirements.

Two-way Modem

- For both incoming and outgoing modem connections, specify `set ports dev=mio`.
- Use the set line command to configure serial line attributes that are consistent with peripheral requirements.
- Use the set flow command to configure flow control attributes that are consistent with peripheral requirements.

Terminal

- For most terminal connections, specify `set ports dev=term`. Also, if you have configured the port for autoconnection, ensure that the destination IP address and TCP port (dport) are correct.
- Use the set line command to configure serial line attributes that are consistent with peripheral requirements.
- Use the set flow command to configure flow control attributes that are consistent with peripheral requirements.

Digi Contact Information

Digi International
11001 Bren Road East
Minnetonka, MN 55343
U.S.A.

Customer Service and Support	
World Wide Web:	http://support.digi.com
email	support@digi.com
Telephone (U.S.)	1-800-344-4273
Telephone (other locations)	(+011) 952-912-3444